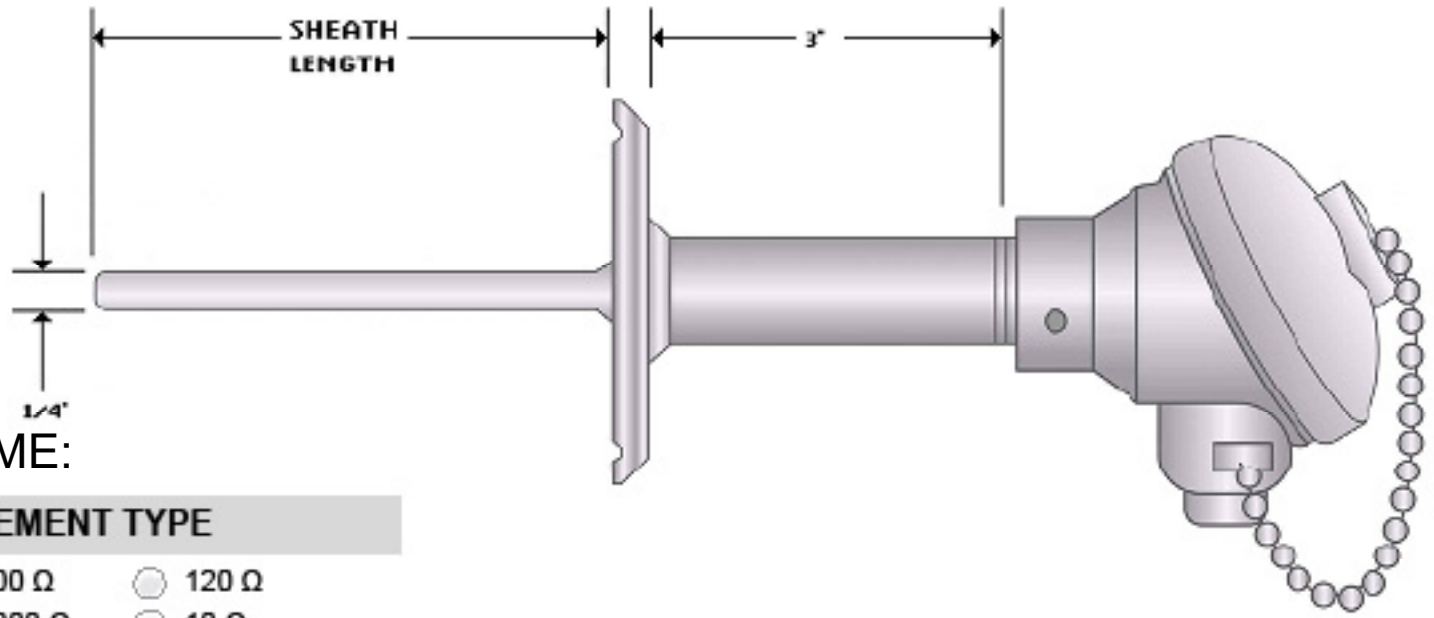




# SANITARY CIP RTDS WITH TRI-CLAMP



NAME:

### ELEMENT TYPE

- 100 Ω
- 120 Ω
- 1000 Ω
- 10 Ω
- 500 Ω

### WIRE CONFIGURATION

- 2-wire
- 4-wire
- 3-wire
- 3-wire
- 2-wire (Dual)
- (Dual)

### SHEATH LENGTH

Length:

Units:

### TRANSMITTER

- None
- 4-20mA Transmitter (non-insolated)
- 4-20mA Transmitter (Isolated)

### TRANSMITTER RANGE

Range:

Temp Units:

### REQUIRED LEAD TIME

- 1.5-2 weeks (standard)
- 1 week expedited mfg
- 3-4 days expedited mfg
- 1-2 days expedite mfg
- Same day expedited mfg

### QUANTITY

### CONNECTION HEAD STYLE

-  Large Cast Aluminum
-  Cast Aluminum Explosion Proof
-  FDA Compliant Plastic
-  Plastic Head
-  Epoxy Coated Aluminum
-  Cast iron
-  FDA Compliant Flip-Flip

### SHEATH DIAMETER

- 0.118" (3mm)
- 0.125" (3.2mm) (1/8")
- 0.156" (4mm)
- 0.188" (4.8mm) (3/16") (standard)
- 0.196" (5mm)
- 0.236" (6mm)
- 0.250" (6.4mm) (1/4")
- 0.314" (8mm) (5/16")
- 0.375" (9.5mm) (3/8")
- Custom

### SANITARY CAP SIZE (CIP SANITARY)

- None
- 1/2" (for 0.5" or 0.75" tube size )
- 1.5" (for 1" or 1.5" tube size )
- 2" (for 2" tube size)
- 2.5" (for 2.5" tube size)
- 3" (for 3" tube size)
- 4" (for 4" tube size)
- Custom – Specify in Message