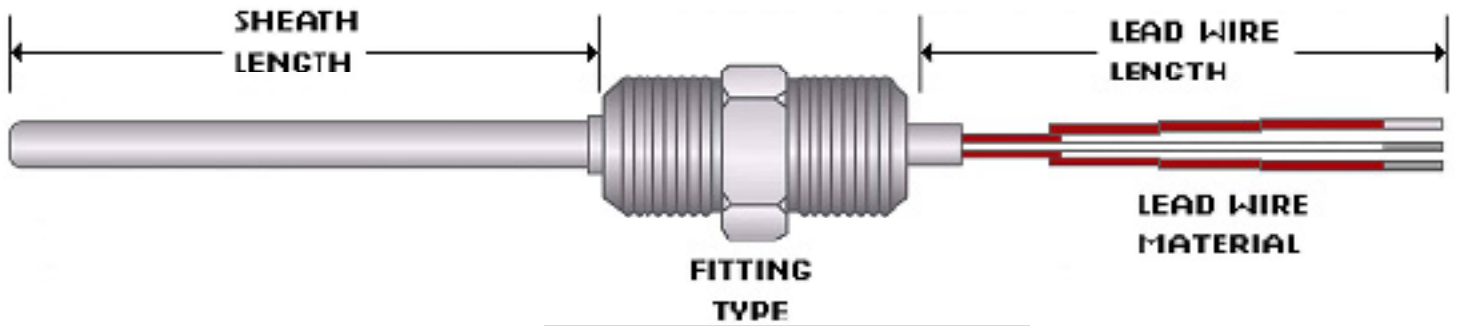




REPLACEMENT RTD ELEMENTS WITH ATTACHED FITTING



NAME:

QUANTITY

ELEMENT TYPE

- 100 Ω
- 1000 Ω
- 500 Ω
- 120 Ω
- 10 Ω

WIRE CONFIGURATION

- 2-wire
- 3-wire
- 4-wire
- 2-wire (Dual)
- 3-wire (Dual)

LEAD WIRE LENGTH

Length:

Units:

SHEATH LENGTH

Length:

Units:

REQUIRED LEAD TIME

- 1.5-2 weeks (standard)
- 1 week expedited mfg
- 3-4 days expedited mfg
- 1-2 days expedite mfg
- Same day expedited mfg

SHEATH DIAMETER

- 0.118" (3mm)
- 0.125" (3.2mm) (1/8")
- 0.156" (4mm)
- 0.188" (4.8mm) (3/16") (standard)
- 0.196" (5mm)
- 0.236" (6mm)
- 0.250" (6.4mm) (1/4")
- 0.314" (8mm) (5/16")
- 0.375" (9.5mm) (3/8")
- Custom

LEAD WIRE MATERIAL

- Fiberglass (800°F)
- Teflon (400°F)
- Fiberglass with stainless steel braid (800°F)
- Teflon with stainless steel braid (400°F)
- Fiberglass with armor cable (800°F)
- Teflon with armor cable (400°F)

HEAD MOUNTING FITTING (FITTINGS SILVER SOLDERED (BRAZED) TO SHEATH)

- 1/2" npt x 1/2" npt double thread
- 1/2" npt double thread spring loaded
- 1/2" npt x 1/2" npt double threadspring loaded w/ oil seal
- 1/2" npt x 3/4" npt double thread
- 3/4" npt x 3/4" npt double thread
- Single threaded brass compression (no process thread)
- Single threaded stainless compression (no process thread)
- 1/2" npt x 1" npt double thread
- 1/2" npt x 1/4" npt double thread
- 1/4" npt x 1/4" npt double thread
- 1/2"npt single thread bushing (no process thread)
- 1/4"npt single thread bushing (no process thread)