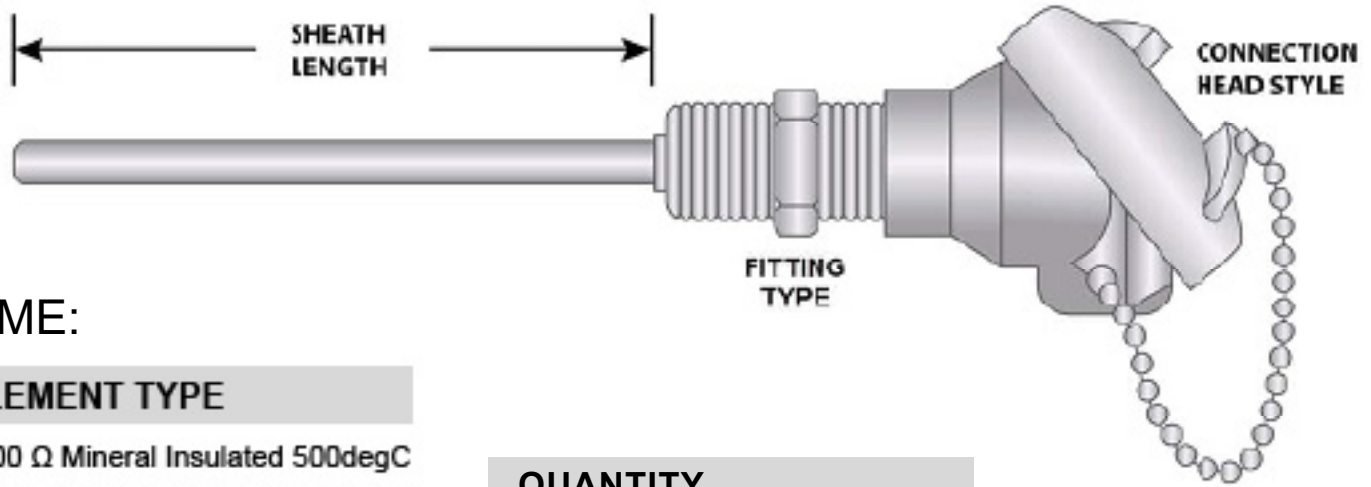




# MINERAL INSULATED RTD'S W/ CONNECTION HEAD



NAME:

### ELEMENT TYPE

- 100 Ω Mineral Insulated 500degC
- 100 Ω Mineral Insulated 800degC

### WIRE CONFIGURATION

- 2-wire  4-wire  3-wire
- 3-wire  2-wire (Dual) (Dual)

### SHEATH DIAMETER

- 0.118" (3mm)
- 0.125" (3.2mm) (1/8")
- 0.156" (4mm)
- 0.188" (4.8mm) (3/16") (standard)
- 0.196" (5mm)
- 0.236" (6mm)
- 0.250" (6.4mm) (1/4")
- 0.314" (8mm) (5/16")
- 0.375" (9.5mm) (3/8")
- Custom

### SHEATH LENGTH

Length:

Units:

### TRANSMITTER

- None
- 4-20mA Transmitter (non-insulated)
- 4-20mA Transmitter (Isolated)

### TRANSMITTER RANGE

Range:

Temp Units:

### QUANTITY

### ATTACHED FITTING

- None
- Custom
- 1/8" npt single thread
- 1/4" npt single thread
- 3/8" npt single thread
- 1/2" npt single thread
- 3/4" npt single thread
- 1/4" npt compression fitting (Stainless Steel)
- 1/2" npt compression fitting (Brass)
- 1/2" npt compression fitting (Stainless Steel)
- 1/2" npt x 1/2" npt double thread. Spring loaded w/ oil seal
- Adjustable 7/16" ID bayonet cap fitting (1/8" OD & 3mm OD)
- Adjustable 12.5mm ID double slot bayonet cap fitting (1/8" OD & 3mm OD)
- 1/2" npt x 1/2" npt double thread
- 1/2" npt double thread. Spring loaded
- 1/2" npt x 3/4" npt double thread
- 3/4" npt x 3/4" npt double thread
- 1/8" npt compression fitting (Brass)
- 1/8" npt compression fitting (Stainless Steel)
- 1/4" npt compression fitting (Brass)

### HEAD MOUNTING FITTING ( FITTINGS SILVER SOLDERED (BRAZED) TO SHEATH)

- 1/2" npt x 1/2" npt double thread
- 1/2" npt double thread spring loaded
- 1/2" npt x 1/2" npt double threadspring loaded w/ oil seal
- 1/2" npt x 3/4" npt double thread
- 3/4" npt x 3/4" npt double thread
- Single threaded brass compression (no process thread)
- Single threaded stainless compression (no process thread)
- 1/2" npt x 1" npt double thread
- 1/2" npt x 1/4" npt double thread
- 1/4" npt x 1/4" npt double thread
- 1/2" npt single thread bushing (no process thread)
- 1/4" npt single thread bushing (no process thread)



## REQUIRED LEAD TIME

- 1.5-2 weeks (standard)
- 1 week expedited mfg
- 3-4 days expedited mfg
- 1-2 days expedite mfg
- Same day expedited mfg

## CONNECTION HEAD STYLE



Large Cast Aluminum



Cast Aluminum Explosion Proof



FDA Compliant Plastic



Plastic Head



Epoxy Coated Aluminum



Cast Iron



FDA Compliant Flip-Flap