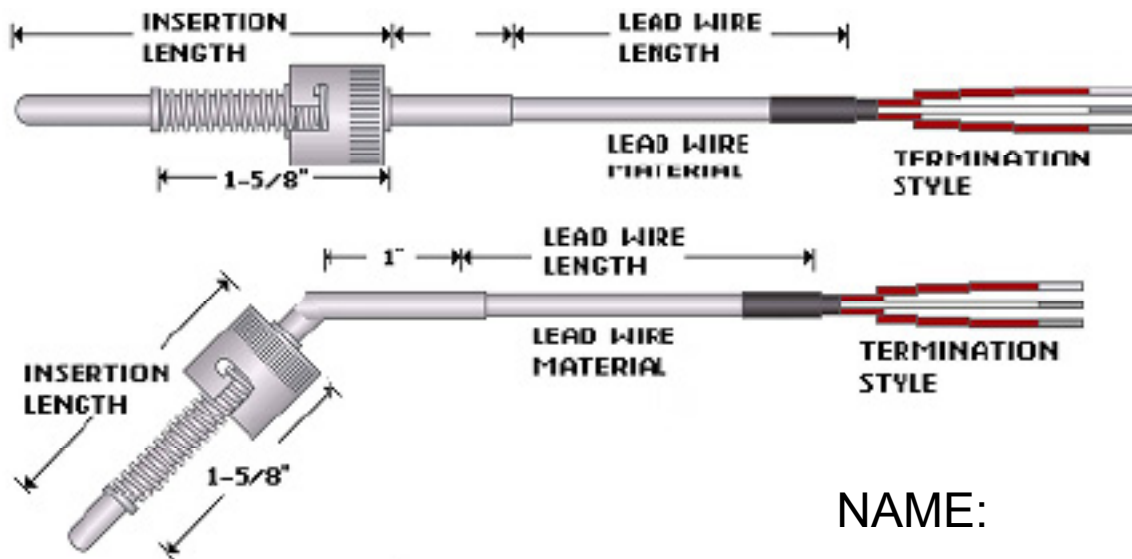




FIXED DEPTH BAYONET RTD'S



NAME: _____

SHEATH CONFIGURATION

- Straight
 45°
 90°

ELEMENT TYPE

- 100 Ω 120 Ω
 1000 Ω 10 Ω
 500 Ω

WIRE CONFIGURATION

- 2-wire 4-wire 3-wire
 3-wire 2-wire (Dual) (Dual)

LEAD LENGTH

Length:

Units:

INSERTION LENGTH

Length:

Units:

REQUIRED LEAD TIME

- 1.5-2 weeks (standard)
 1 week expedited mfg
 3-4 days expedited mfg
 1-2 days expedite mfg
 Same day expedite mfg

QUANTITY

CAP SIZE

- 7/16"ID Single Slot
 12.5mmID Double Slot
 14.7mmID Double Slot

SHEATH DIAMETER

- 0.118" (3mm) 0.236" (6mm)
 0.125" (3.2mm) (1/8") 0.250" (6.4mm) (1/4")
 0.156" (4mm) 0.314" (8mm) (5/16")
 0.188" (4.8mm) (3/16") (standard) Custom – Specify in Message

LEAD WIRE MATERIAL

- Fiberglass (800°F) Fiberglass with armor cable (800°F)
 Teflon (400°F) Teflon with armor cable (400°F)
 Fiberglass with stainless steel braid (800°F) Fiberglass with stainless steel braid (800°F) w/ armor cable
 Teflon with stainless steel braid (400°F) Teflon with Stainless steel braid (400°F) w/ armor cable

TERMINATIONS/OPTIONS

- Stripped Leads Standard female jack (400°F)
 Fork Terminals Miniature male plug (400°F)
 Standard male plug (400°F) Miniature female jack (400°F)

SPECIAL FEATURES

- None Cable Clamp
 Flat tip probe Bx Connector
 Drill point tip Mating connector
 Epoxy seal Moisture protection boot on connector