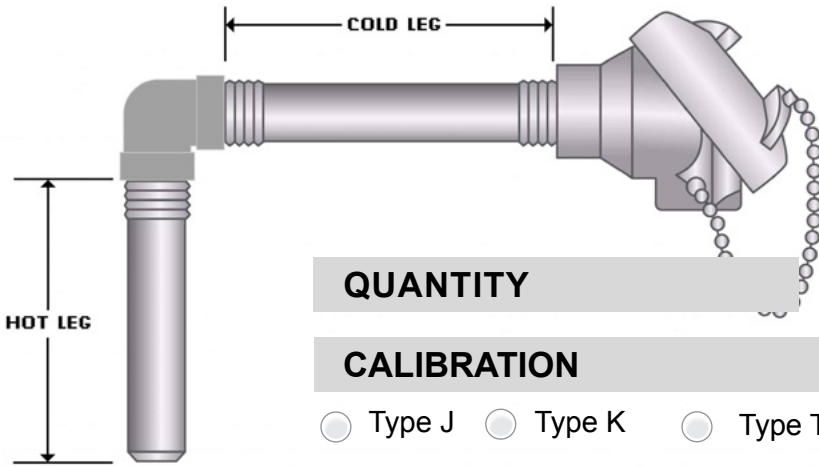




# BASE METAL THERMOCOUPLES W/ PROTECTION TUBE & 90 DEGREE ELBOW



NAME:

## QUANTITY

## CALIBRATION

- Type J
- Type K
- Type T
- Type E
- Type N

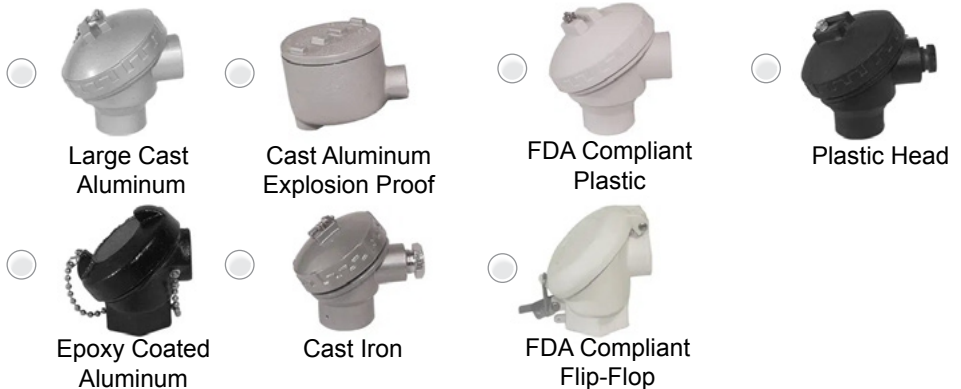
## PROTECTION TUBE MATERIAL

- 1/4"NPT
- 1"NPT
- 11/16"OD
- 1"OD
- 1/2"OD
- 1/2"NPT
- 1-3/4"OD
- 3/4"OD
- 1/8"NPT
- 7MM OD
- 3/4"NPT
- 3/8"OD
- 7/8"OD
- 3/8"NPT
- R 1/4"OD

## PROTECTION TUBE MATERIAL

- 446 SS
- Pure Nickel
- Inconel
- 304 stainless steel
- 310 stainless steel
- 316 stainless steel
- Silicon Carbide
- Mullite
- Alumina
- Metal Ceramic
- Carbon Steel
- Tercod
- Cast Alloy
- Cast Iron with Tap
- 330 stainless steel
- Hexaloy
- Cast-T
- Refractory Coated
- Incoloy 800
- Hastelloy C 276

## CONNECTION HEAD STYLE



## ATTACHED FITTING OR HARDWARE (OPTIONAL)

- 1/2"NPT Stainless Steel
- 3/4"NPT Stainless Steel
- 1"NPT Stainless Steel
- 1-1/4"NPT Stainless Steel
- 1-1/2"NPT Stainless Steel
- 1/2"NPT Steel
- 3/4"NPT Steel
- 1"NPT Steel
- 1-1/4"NPT Steel
- 1-1/2"NPT Steel
- Tapered Plug
- Hot Junction Cup
- Adjustable Flange
- None

## COLD LEG LENGTH

Length:

Units:

## HOT LEG LENGTH

Length:

Units:

## INSERTION LENGTH

Length:

Units:

## WIRE GAUGE

- 8 gauge
- 14 gauge
- 20 gauge

## WIRE GAUGE

- 4-20mA Transmitter (non-insolated)
- 4-20mA Transmitter (Isolated)
- None

## JUNCTION

- Butt weld
- Twisted weld
- Dual Junction – Butt weld

## REQUIRED LEAD TIME

- 1.5-2 weeks (standard)
- 1 week expedited mfg
- 3-4 days expedited mfg
- 1-2 days expedite mfg
- Same day expedited mfg