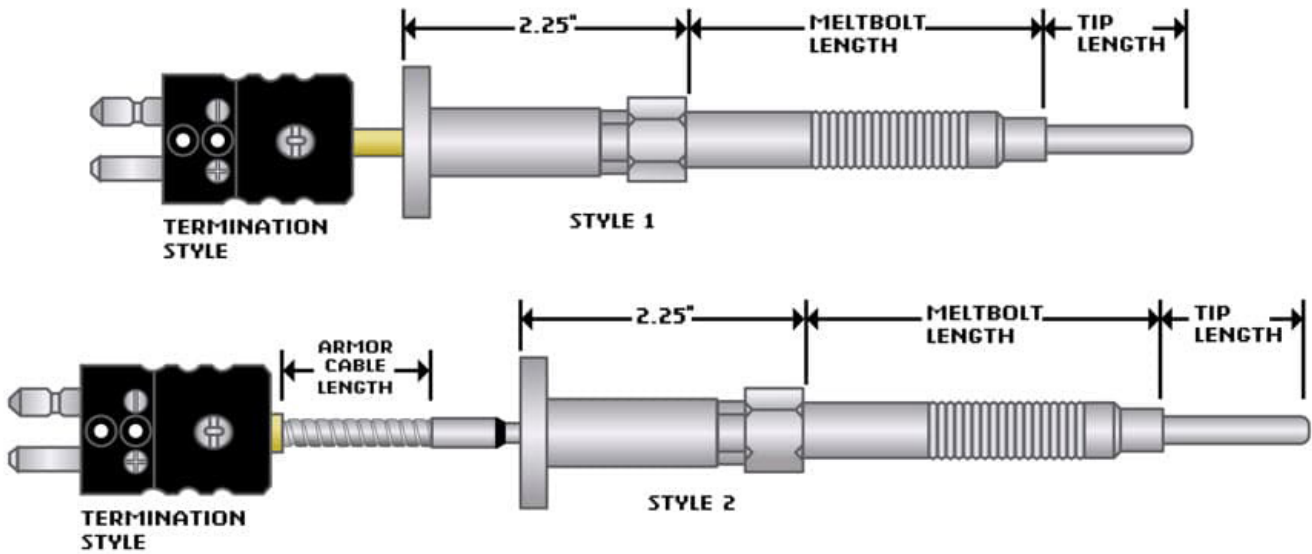




ADJUSTABLE MELT BOLT THERMOCOUPLES



NAME:

CALIBRATION

Type J	Type J (Dual)
Type K	Type K (Dual)
Type T	Type T (Dual)
Type E	Type E (Dual)

TIP DIAMETER

0.118" (3mm)	0.236" (6mm)
0.125" (3.2mm) (1/8")	0.250" (6.4mm) (1/4")
0.156" (4mm)	0.125" with 0.188" OD support tube
0.188" (4.8mm) (3/16") (std)	Custom

TIP LENGTH

- Adjustable from flush to 1"
- Adjustable from flush to 2.5"
- Adjustable from flush to 3"

STYLE

- (Style 2) No Lead Wire – Rigid Style
- (Style 1) Fiberglass with armor cable
- (Style 1) Fiberglass with Stainless steel braid

MELT BOLT LENGTH

3"	7"	14"
4"	9"	Custom
6"	12"	

TERMINATIONS/OPTIONS

Stripped Leads	Standard female jack (400°F)
Fork Terminals	Miniature male plug (400°F)
Standard male plug (400°F)	Miniature female jack (400°F)

QUANTITY

JUNCTION

- Grounded (standard)
- Ungrounded
- Exposed

SPECIAL FEATURES

- None
- Solid conductor (Lead wire)
- Cable Clamp
- Bx Connector
- Mating connector
- Moisture protection boot on connector
- Add ground wire to TC & RTD

REQUIRED LEAD TIME

- 1.5-2 weeks (standard)
- 1 week expedited mfg
- 3-4 days expedited mfg
- 1-2 days expedite mfg
- Same day expedited mfg