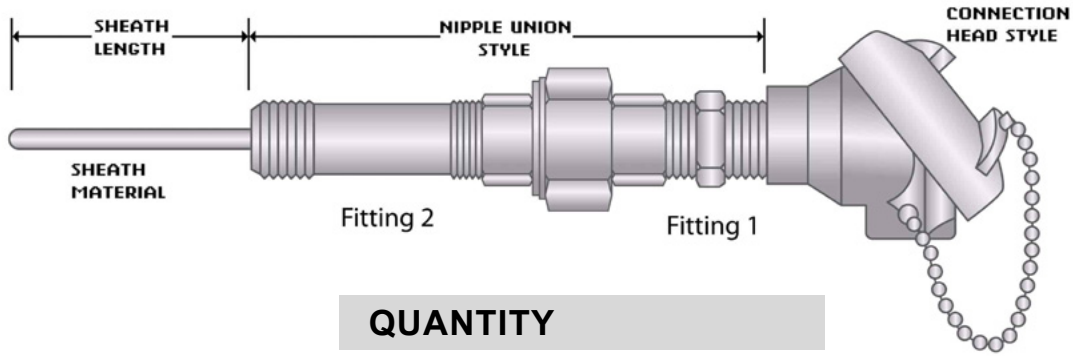




MI NIPPLE UNION THERMOCOUPLES W/ CONNECTION HEAD



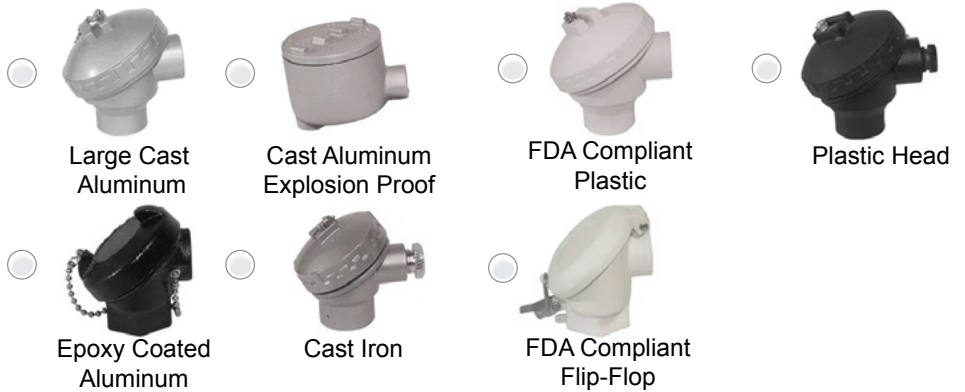
NAME:

QUANTITY

CALIBRATION

- Type J
- Type K
- Type J (Dual)
- Type K (Dual)
- Type T
- Type E
- Type T (Dual)
- Type E (Dual)

CONNECTION HEAD STYLE



HEAD MOUNTING FITTING

- Single threaded stainless

ATTACHED FITTING (OPT)

- None
- Flat tip probe

SHEATH DIAMETER

- 0.125" (3.2mm) (1/8")
- 0.188" (4.8mm) (3/16")
- 0.236" (6mm)
- 0.250" (6.4mm) (1/4")
- 0.314" (8mm) (5/16")
- 0.375" (9.5mm) (3/8")
- Custom

SPRING LOADING

- Spring loaded
- Non spring loaded (fixed sheath)

TRANSMITTER

- None
- 4-20mA Transmitter (Isolated)
- 4-20mA Transmitter (non-insolated)

SHEATH LENGTH

Length:

Units:

NIPPLE UNION STYLE FITTING 1

- 1/2"NPT x 1/2"NPT double thread
- 1/2"NPT x 3/4"NPT double thread
- 1/2"NPT x 1/2"NPT double thread (with internal compression fitting)
- 1/2"NPT x 1/2"NPT double thread spring loaded w/oil seal

JUNCTION

- Grounded
- Ungrounded
- Exposed

NIPPLE UNION STYLE FITTING 1

- 1/2"NPT x 1/2"NPT double thread
- 3/4"NPT Pipe 3" long
- 3/4"NPTx 3/4"NPT double thread
- 3/4"NPT Pipe 4" long
- 1/2"NPT Pipe 3" long
- No Fitting
- 1/2"NPT Pipe 4" long

REQUIRED LEAD TIME

- 1.5-2 weeks (standard)
- 1 week expedited mfg
- 3-4 days expedited mfg
- 1-2 days expedite mfg
- Same day expedited mfg