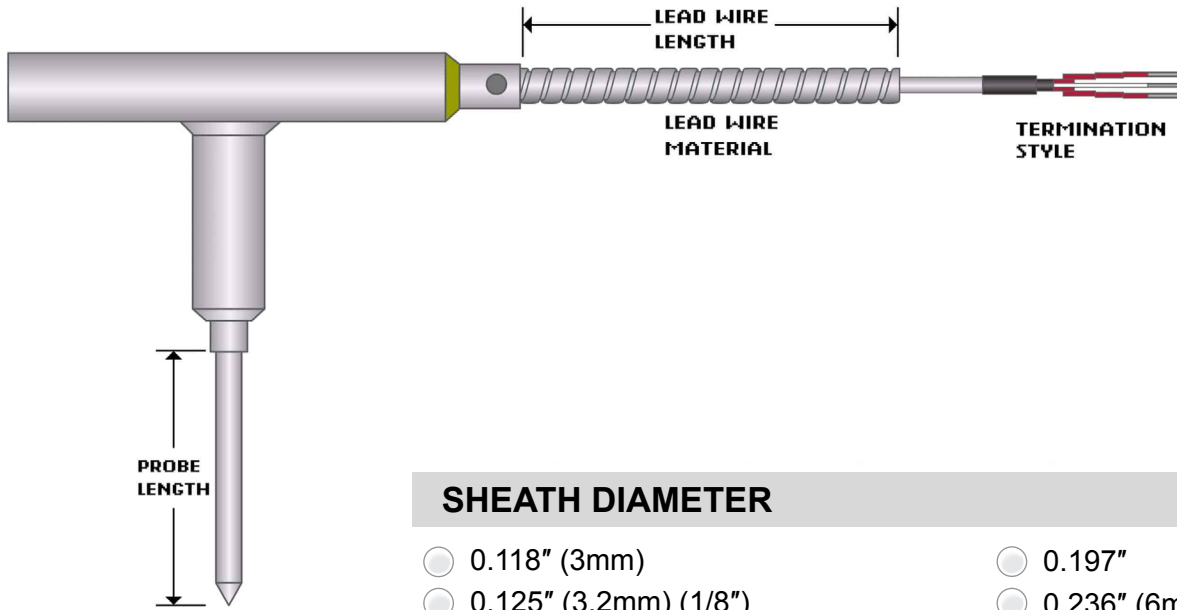




SHARP TIP PROBE WITH T-HANDLE RTD



ELEMENT TYPE

- 100 Ω
- 120 Ω
- 1000 Ω
- 10 Ω
- 500 Ω

WIRE CONFIGURATION

- 2-wire
- 4-wire
- 3-wire
- 3-wire
- 2-wire (Dual)
- (Dual)

LEAD LENGTH

Length:

Units:

SHEATH LENGTH

Length:

Units:

REQUIRED LEAD TIME

- 1.5-2 weeks (standard)
- 1 week expedited mfg
- 3-4 days expedited mfg
- 1-2 days expedite mfg
- Same day expedited mfg

SHEATH DIAMETER

- 0.118" (3mm)
- 0.125" (3.2mm) (1/8")
- 0.156" (4mm)
- 0.165"
- 0.188" (4.8mm) (3/16") (standard)
- 0.197"
- 0.236" (6mm)
- 0.250" (6.4mm) (1/4")
- 0.314" (8mm) (5/16")
- Custom

HANDLE OPTIONS

- 3/8" diameter X 3" Long
- 1/2" diameter X 5" Long
- Custom

LEAD WIRE MATERIAL

- Fiberglass (800°F)
- Teflon (400°F)
- Fiberglass with stainless steel braid (800°F)
- Teflon with stainless steel braid (400°F)
- Fiberglass with armor cable (800°F)
- Teflon with armor cable (400°F)
- Fiberglass with stainless steel braid (800°F) w/ armor cable
- Teflon with Stainless steel braid (400°F) w/ armor cable

TERMINATIONS/OPTIONS

- Stripped Leads
- Fork Terminals
- Standard male plug (400°F)
- Standard female jack (400°F)
- Miniature male plug (400°F)
- Miniature female jack (400°F)

SPECIAL FEATURES

- None
- Epoxy seal
- Cable Clamp
- Bx Connector
- Mating connector
- Moisture protection boot on connector