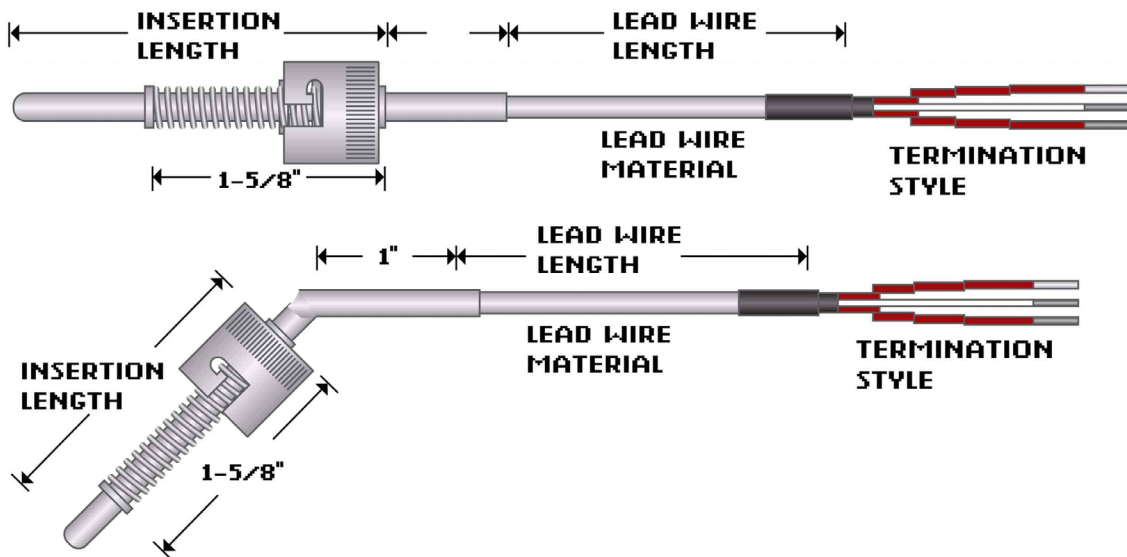




# FIXED DEPTH BAYONET RTD'S



## SHEATH CONFIGURATION

- Straight     45°     90°

## ELEMENT TYPE

- 100 Ω     120 Ω  
 1000 Ω     10 Ω  
 500 Ω

## WIRE CONFIGURATION

- 2-wire     4-wire     3-wire  
 3-wire     2-wire (Dual)     (Dual)

## LEAD LENGTH

Length:

Units:

## INSERTION LENGTH

Length:

Units:

## REQUIRED LEAD TIME

- 1.5-2 weeks (standard)  
 1 week expedited mfg  
 3-4 days expedited mfg  
 1-2 days expedite mfg  
 Same day expedited mfg

## CAP SIZE

- 7/16"ID Single Slot  
 12.5mmID Double Slot  
 14.7mmID Double Slot

## SHEATH DIAMETER

- 0.118" (3mm)     0.236" (6mm)  
 0.125" (3.2mm) (1/8")     0.250" (6.4mm) (1/4")  
 0.156" (4mm)     0.314" (8mm) (5/16")  
 0.188" (4.8mm) (3/16") (standard)     Custom – Specify in Message

## LEAD WIRE MATERIAL

- Fiberglass (800°F)     Fiberglass with armor cable (800°F)  
 Teflon (400°F)     Teflon with armor cable (400°F)  
 Fiberglass with stainless steel braid (800°F)     Fiberglass with stainless steel braid (800°F) w/ armor cable  
 Teflon with stainless steel braid (400°F)     Teflon with Stainless steel braid (400°F) w/ armor cable

## TERMINATIONS/OPTIONS

- Stripped Leads     Standard female jack (400°F)  
 Fork Terminals     Miniature male plug (400°F)  
 Standard male plug (400°F)     Miniature female jack (400°F)

## SPECIAL FEATURES

- None     Cable Clamp  
 Flat tip probe     Bx Connector  
 Drill point tip     Mating connector  
 Epoxy seal     Moisture protection boot on connector