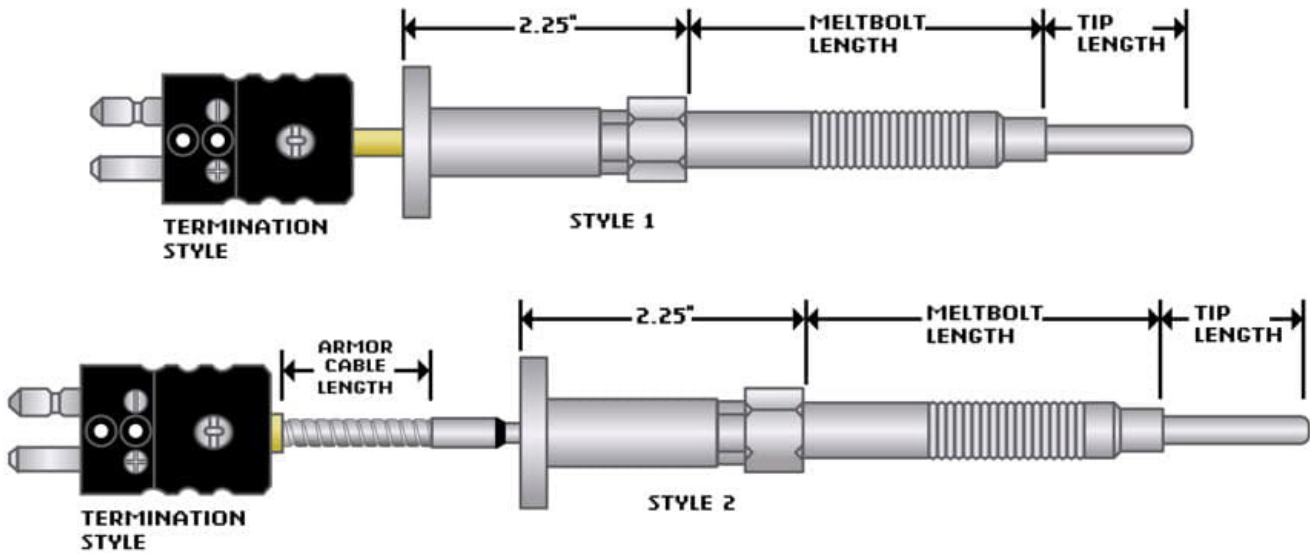




ADJUSTABLE MELT BOLT THERMOCOUPLES



CALIBRATION

Type J	Type J (Dual)
Type K	Type K (Dual)
Type T	Type T (Dual)
Type E	Type E (Dual)

TIP DIAMETER

0.118" (3mm)	0.236" (6mm)
0.125" (3.2mm) (1/8")	0.250" (6.4mm) (1/4")
0.156" (4mm)	0.125" with 0.188" OD support tube
0.188" (4.8mm) (3/16") (std)	Custom

TIP LENGTH

Adjustable from flush to 1"
 Adjustable from flush to 2.5"
 Adjustable from flush to 3"

STYLE

(Style 2) No Lead Wire – Rigid Style
 (Style 1) Fiberglass with armor cable
 (Style 1) Fiberglass with Stainless steel braid

MELT BOLT LENGTH

3"	7"	14"
4"	9"	Custom
6"	12"	

TERMINATIONS/OPTIONS

Stripped Leads	Standard female jack (400°F)
Fork Terminals	Miniature male plug (400°F)
Standard male plug (400°F)	Miniature female jack (400°F)

JUNCTION

Grounded (standard)
 Ungrounded
 Exposed

SPECIAL FEATURES

None
 Solid conductor (Lead wire)
 Cable Clamp
 Bx Connector
 Mating connector
 Moisture protection boot on connector
 Add ground wire to TC & RTD

REQUIRED LEAD TIME

1.5-2 weeks (standard)
 1 week expedited mfg
 3-4 days expedited mfg
 1-2 days expedite mfg
 Same day expedited mfg