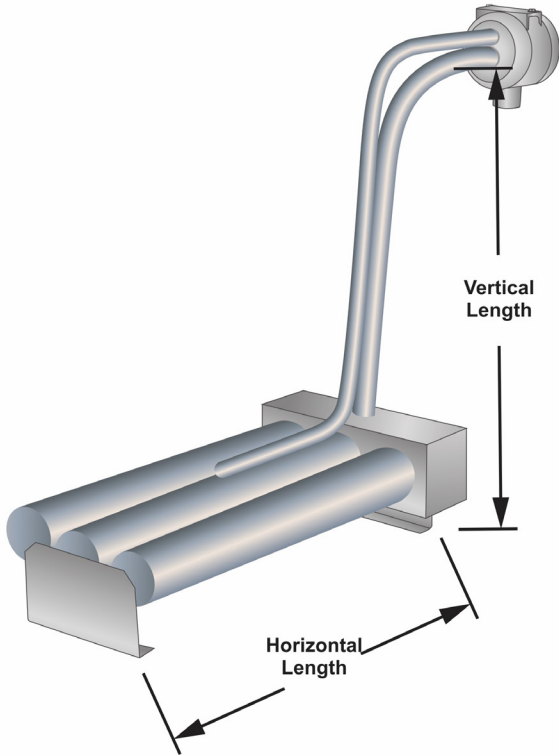


LOW WATT DENSITY TRIPLE L-SHAPED HEATER



INFORMATION

- Durable and efficient chemical heater
- Bottom style, L-shaped design
- Heavy wall metal sheaths available in steel, 304 stainless steel, 316 stainless steel, and titanium (check with chemical supplier for proper material selection)
- Three phase
- 1500-18000 watts, 120-480 volts

FEAUTRES

- Heavy wall metal sheaths available in steel, 304 stainless steel, 316 stainless steel, and titanium
- Low watt densities of 18 watts/square inch (2.8 w/cm²).
- Vapor resistant and flame retardant terminal enclosure made of polypropylene, with 3 ft (.9m) flexible Teflon liquid tight conduit
- Grounded construction and built-in thermal protector
- Replaceable P1 protector standard for solutions up to 180°F(82°C)



PROTECTOR / FUSE OPTIONS

CODE	TYPE OF FUSE	DESCRIPTION
P1	REPLACEABLE	Standard for solutions up to 180°F (82°C)
P4	REPLACEABLE	For solutions from 180 to 230°F (82 to 110°C)
P5	REPLACEABLE	For solutions from 230 to 300°F (110 to 150°C)
P2	RESETTABLE	For solutions up to 180°F (82°C)
P6	RESETTABLE	For solutions from 180 to 230°F (82 to 110°C)
P7	RESETTABLE	For solutions from 230 to 300°F (110 to 150°C)

STANDARD PARTS

Steel	304SS	316SS	Titanium	Watts	Volts	Horizontal Length	Vertical Length
IM-D3LP1.5113-R**	IM-D3LF1.5113-R**	IM-D3LS1.5113-R**	IM-D3LT1.5113-R**	1500 W	120 V	13 "330 mm	15 "381 mm
IM-D3LP1.5213-R**	IM-D3LF1.5213-R**	IM-D3LS1.5213-R**	IM-D3LT1.5213-R**	1500 W	240 V	13 "330 mm	15 "381 mm
IM-D3LP3217-R**	IM-D3LF3217-R**	IM-D3LS3217-R**	IM-D3LT3217-R**	3000 W	240 V	17 "432 mm	19 "483 mm
IM-D3LP3417-R**	IM-D3LF3417-R**	IM-D3LS3417-R**	IM-D3LT3417-R**	3000 W	480 V	17 "432 mm	19 "483 mm
IM-D3LP4.5222-R**	IM-D3LF4.5222-R**	IM-D3LS4.5222-R**	IM-D3LT4.5222-R**	4500 W	240 V	22 "559 mm	25 "635 mm
IM-D3LP4.5422-R**	IM-D3LF4.5422-R**	IM-D3LS4.5422-R**	IM-D3LT4.5422-R**	4500 W	480 V	22 "559 mm	25 "635 mm
IM-D3LP6226-R**	IM-D3LF6226-R**	IM-D3LS6226-R**	IM-D3LT6226-R**	6000 W	240 V	26 "660 mm	25 "635 mm
IM-D3LP6426-R**	IM-D3LF6426-R**	IM-D3LS6426-R**	IM-D3LT6426-R**	6000 W	480 V	26 "660 mm	25 "635 mm
IM-D3LP7.5231-R**	IM-D3LF7.5231-R**	IM-D3LS7.5231-R**	IM-D3LT7.5231-R**	7500 W	240 V	31 "787 mm	37 "940 mm
IM-D3LP7.5431-R**	IM-D3LF7.5431-R**	IM-D3LS7.5431-R**	IM-D3LT7.5431-R**	7500 W	480 V	31 "787 mm	37 "940 mm
IM-D3LP9236-R**	IM-D3LF9236-R**	IM-D3LS9236-R**	IM-D3LT9236-R**	9000 W	240 V	36 "914 mm	50 "1270 mm
IM-D3LP9436-R**	IM-D3LF9436-R**	IM-D3LS9436-R**	IM-D3LT9436-R**	9000 W	480 V	36 "914 mm	50 "1270 mm
IM-D3LP12244-R**	IM-D3LF12244-R**	IM-D3LS12244-R**	IM-D3LT12244-R**	12,000 W	240 V	44 "1118 mm	50 "1270 mm
IM-D3LP12444-R**	IM-D3LF12444-R**	IM-D3LS12444-R**	IM-D3LT12444-R**	12,000 W	480 V	44 "1118 mm	50 "1270 mm
IM-D3LP13.5250-R**	IM-D3LF13.5250-R**	IM-D3LS13.5250-R**	IM-D3LT13.5250-R**	13500 W	240 V	50 "1270 mm	50 "1270 mm
IM-D3LP13.5450-R**	IM-D3LF13.5450-R**	IM-D3LS13.5450-R**	IM-D3LT13.5450-R**	13500 W	480 V	50 "1270 mm	50 "1270 mm
IM-D3LP15255-R**	IM-D3LF15255-R**	IM-D3LS15255-R**	IM-D3LT15255-R**	15000 W	240 V	55 "1397 mm	50 "1270 mm
IM-D3LP15455-R**	IM-D3LF15455-R**	IM-D3LS15455-R**	IM-D3LT15455-R**	15000 W	480 V	55 "1397 mm	50 "1270 mm
IM-D3LP18264-R**	IM-D3LF18264-R**	IM-D3LS18264-R**	IM-D3LT18264-R**	18,000 W	240 V	64 "1626 mm	50 "1270 mm
IM-D3LP18464-R**	IM-D3LF18464-R**	IM-D3LS18464-R**	IM-D3LT18464-R**	18,000 W	480 V	64 "1626 mm	50 "1270 mm

*3 phase standard, single phase available. * Specify Vertical Length. **Specify Protector / Fuse

3-4 Week Lead Time for Standard & Custom Products!

ORDER CODE

IM-D3LX	XX	X	XX	-	XXX	-	
SERIES	WATTAGE	VOLTAGE	HORIZONTAL LENGTH (in)	VERTICAL LENGTH (in)	RISER OPTION	PHASE	
D3LP Steel	1.5 1500W	1 120V	13 1.5kW	R15 1.5kW	Blank = 90° Horizontal Bend (std)	Blank = Three Phase (Std)	
D3LF 304 stainless steel	3 3000W	2 240V	17 3kW	R19 3kW	S= Straight Riser	-1 = single phase	
D3LS 316 stainless steel	4.5 4500W	3 380V	22 4.5kW	R25 4.5kW			
D3LT Titanium	6 6000W	4 480V	26 6kW	R25 6kW			
	7.5 7500W	5 415V	31 7.5kW	R37 7.5kW	XX		
	9 9000W	6 600V	36 9kW	R50 9kW	TYPE OF PROTECTOR	WIRE & CONDUIT LENGTH	
	12 12000W	7 400V	44 12kW	R50 12kW	REPLACEABLE FUSE	blank - 36" TEFLON CONDUIT	
	13.5 13500W	8 208V	50 13.5kW	R50 13.5kW	P1 (std)- SOLUTIONS UP TO 180°F		
	15 15000W	9 220V	55 15kW	R50 15kW	P4 - SOLUTIONS UP TO 230°F	SPECIFY LENGTH - EX. X84 = 84" TEFLON CONDUIT	
	18 18000W	0 200V	64 18kW	R50 18kW	P5 - SOLUTIONS UP TO 300°F		
					RESETTABLE FUSE		
					P2 - SOLUTIONS UP TO 180°F		
					P6 - SOLUTIONS UP TO 230°F		
					P7 - SOLUTIONS UP TO 300°F		

EX. IM-D3LT15455-R50-P1 LOW WATT DENSITY TRIPLE L-SHAPED Titanium Immersion Heater, 15kW, 480V, 3PH, 55" Horizontal Length, 50" Vertical Length, 90 Horizontal Riser, P1 Replaceable Fuse for Solutions up to 180degF, 36" Teflon Conduit