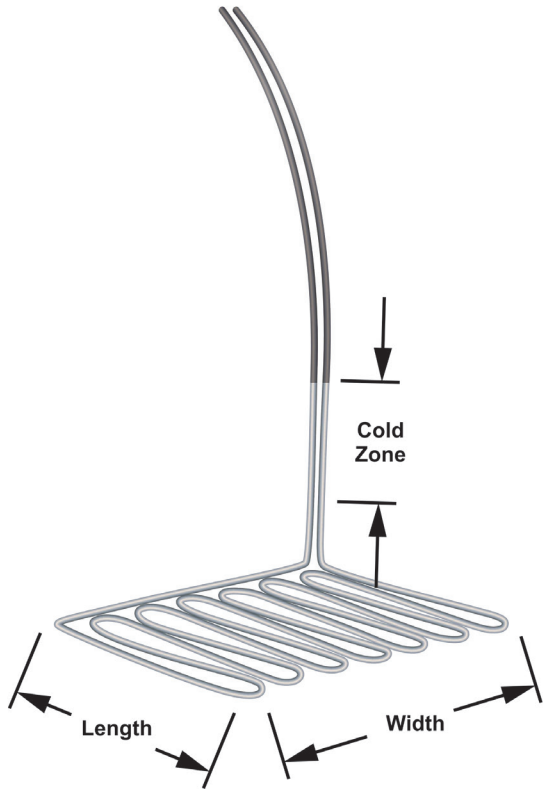


LOW PROFILE FLEX RISER PTFE HEATERS



INFORMATION

- Fluoropolymer (PTFE) heaters are an excellent choice for heating Aqueous acid, alkaline, anodizing and pickling solutions up to 212F (100 C).
- Offers thick gauge stainless steel tubular elements covered with heavy wall fluoropolymer (PTFE) reducing permeation, eliminating the need for gas purge systems. This product is an excellent choice for heating electroless chemistries – not for use in Chromic Acid.

FEAUTRES

Flexible Riser Bottom Single Phase Heater. Excellent chemical resistance to aggressive acids.

- PTFE sleeved 304 stainless elements inert to most solutions up to 212°F (100°C).
- Low watt den sity design 10 watts/square inch (1.5w/cm²).
- 4 foot (1.2m) continuous fluoropolymer (PTFE) cable leading to a vapor resistant terminal enclosure and 3 ft (.9m) flexible Teflon liquid tight conduit.
- Grounded internal metal element and built in thermal protector. Resettable P3 protector standard



PROTECTOR / FUSE OPTIONS

	CODE	TYPE OF FUSE	DESCRIPTION
FLEX RISER	P3	RESETTABLE	For solutions up to 250°F (121°C)
RIGID RISER	P1	REPLACEABLE	Standard for solutions up to 180°F (82°C)
	P4	REPLACEABLE	For solutions up to 230°F (110°C)
	P2	RESETTABLE	For solutions up to 190°F (88°C)
	P8	RESETTABLE	For solutions from 190°F to 210°F (88°C to 99°C)
	P3	RESETTABLE	For solutions from 210°F to 250°F (99°C to 121°C)

STANDARD PARTS					
MPI P/N	WATTS	VOLTS	Width	LENGTH	PHASE
IM-HXRL1104-19L-**	1000 W	120 V	4 "102 mm	19 "483 mm	Single
IM-HXRL1204-19L-**	1000 W	240 V	4 "102 mm	19 "483 mm	Single
IM-HXRL1106-13L-**	1000 W	120 V	6 "152 mm	13 "330 mm	Single
IM-HXRL1206-13L-**	1000 W	240 V	6 "152 mm	13 "330 mm	Single
IM-HXRL1108-10L-**	1000 W	120 V	8 "203 mm	10 "254 mm	Single
IM-HXRL1208-10L-**	1000 W	240 V	8 "203 mm	10 "254 mm	Single
IM-HXRL2106-25L-**	2000 W	120 V	6 "152 mm	25 "635 mm	Single
IM-HXRL2206-25L-**	2000 W	240 V	6 "152 mm	25 "635 mm	Single
IM-HXRL2406-25L-**	2000 W	480 V	6 "152 mm	25 "635 mm	Single
IM-HXRL2108-19L-**	2000 W	120 V	8 "203 mm	19 "483 mm	Single
IM-HXRL2208-19L-**	2000 W	240 V	8 "203 mm	19 "483 mm	Single
IM-HXRL2408-19L-**	2000 W	480 V	8 "203 mm	19 "483 mm	Single
IM-HXRL2110-15L-**	2000 W	120 V	10 "254 mm	15 "381 mm	Single
IM-HXRL2210-15L-**	2000 W	240 V	10 "254 mm	15 "381 mm	Single
IM-HXRL2410-15L-**	2000 W	480 V	10 "254 mm	15 "381 mm	Single
IM-HXRL2112-13L-**	2000 W	120 V	12 "305 mm	13 "330 mm	Single
IM-HXRL2212-13L-**	2000 W	240 V	12 "305 mm	13 "330 mm	Single
IM-HXRL2412-13L-**	2000 W	480 V	12 "305 mm	13 "330 mm	Single
IM-HXRL2114-11L-**	2000 W	120 V	14 "356 mm	11 "279 mm	Single
IM-HXRL2214-11L-**	2000 W	240 V	14 "356 mm	11 "279 mm	Single
IM-HXRL2414-11L-**	2000 W	480 V	14 "356 mm	11 "279 mm	Single
IM-HXRL3210-23L-**	3000 W	240 V	10 "254 mm	23 "584 mm	Single
IM-HXRL3410-23L-**	3000 W	480 V	10 "254 mm	23 "584 mm	Single
IM-HXRL3212-19L-**	3000 W	240 V	12 "305 mm	19 "483 mm	Single
IM-HXRL3412-19L-**	3000 W	480 V	12 "305 mm	19 "483 mm	Single
IM-HXRL3214-16L-**	3000 W	240 V	14 "356 mm	16 "406 mm	Single
IM-HXRL3414-16L-**	3000 W	480 V	14 "356 mm	16 "406 mm	Single
IM-HXRL3216-14L-**	3000 W	240 V	16 "406 mm	14 "356 mm	Single
IM-HXRL3416-14L-**	3000 W	480 V	16 "406 mm	14 "356 mm	Single
IM-HXRL3218-13L-**	3000 W	240 V	18 "457 mm	13 "330 mm	Single
IM-HXRL3418-13L-**	3000 W	480 V	18 "457 mm	13 "330 mm	Single
IM-HXRL4212-25L-**	4000 W	240 V	12 "305 mm	25 "635 mm	Single
IM-HXRL4412-25L-**	4000 W	480 V	12 "305 mm	25 "635 mm	Single
IM-HXRL4214-22L-**	4000 W	240 V	14 "356 mm	22 "559 mm	Single
IM-HXRL4414-22L-**	4000 W	480 V	14 "356 mm	22 "559 mm	Single
IM-HXRL4216-19L-**	4000 W	240 V	16 "406 mm	19 "483 mm	Single
IM-HXRL4416-19L-**	4000 W	480 V	16 "406 mm	19 "483 mm	Single
IM-HXRL4218-17L-**	4000 W	240 V	18 "457 mm	17 "432 mm	Single
IM-HXRL4418-17L-**	4000 W	480 V	18 "457 mm	17 "432 mm	Single
IM-HXRL4220-15L-**	4000 W	240 V	20 "508 mm	15 "381 mm	Single
IM-HXRL4420-15L-**	4000 W	480 V	20 "508 mm	15 "381 mm	Single

STANDARD PARTS Cont.

IM-HXRL5212-31L-**	5000 W	240 V	12 "305 mm	31 "787 mm	Single
IM-HXRL5412-31L-**	5000 W	480 V	12 "305 mm	31 "787 mm	Single
IM-HXRL5214-27L-**	5000 W	240 V	14 "356 mm	27 "686 mm	Single
IM-HXRL5414-27L-**	5000 W	480 V	14 "356 mm	27 "686 mm	Single
IM-HXRL5216-23L-**	5000 W	240 V	16 "406 mm	23 "584 mm	Single
IM-HXRL5416-23L-**	5000 W	480 V	16 "406 mm	23 "584 mm	Single
IM-HXRL5218-21L-**	5000 W	240 V	18 "457 mm	21 "533 mm	Single
IM-HXRL5418-21L-**	5000 W	480 V	18 "457 mm	21 "533 mm	Single
IM-HXRL6212-36L-**	6000 W	240 V	12 "305 mm	36 "914 mm	Single
IM-HXRL6412-36L-**	6000 W	480 V	12 "305 mm	36 "914 mm	Single
IM-HXRL6214-30L-**	6000 W	240 V	14 "356 mm	30 "762 mm	Single
IM-HXRL6414-30L-**	6000 W	480 V	14 "356 mm	30 "762 mm	Single
IM-HXRL6216-26L-**	6000 W	240 V	16 "406 mm	26 "660 mm	Single
IM-HXRL6416-26L-**	6000 W	480 V	16 "406 mm	26 "660 mm	Single
IM-HXRL6220-21L-**	6000 W	240 V	18 "457 mm	21 "533 mm	Single
IM-HXRL6420-21L-**	6000 W	480 V	18 "457 mm	21 "533 mm	Single

Single phase only. **Specify Protector / Fuse

3-4 Week Lead Time for Standard & Custom Products!

ORDER CODE

IM-HXRL X X XX - XX X - XXXX - XX

SERIES	WATTAGE	VOLTAGE	WIDTH	LENGTH	RISER LOCATION	RISER OPTION	TYPE OF PROTECTOR				
HXRL - PTFE	1	1000W	Specify in inches	Specify in inches	L = Left front corner	FR = Flex riser length , specify length in inches	THERMAL PROTECTOR (Flex Riser)				
	2	2000W					2	240V	RESETTABLE FUSE		
	3	3000W					3	380V	R = Right front corner	Ex: FR48 = 48"	P3- SOLUTIONS UP TO 250°F (121°C)
	4	4000W					4	480V			THERMAL PROTECTOR (Rigid Riser)
	5	5000W					5	415V		R = Rigid riser length	REPLACEABLE FUSE
	6	6000W					6	600V			P1(std)- SOLUTIONS UP TO 190°F
WIRE & CONDUIT LENGTH		7	400V				P4- SOLUTIONS UP TO 220°F				
		8	208V				RESETTABLE FUSE				
		9	220V				P2- SOLUTIONS UP TO 190°F				
		0	200V				P8- 190°F TO 210°F				
blank - 36" TEFLON CONDUIT							P3- 210°F TO 250°F				
SPECIFY LENGTH - EX. X84 = 84" TEFLON CONDUIT	EX. IM-HXRL3414-16R-R54-P8 LOW PROFILE FLEX RISER PTFE Immersion Heater, 3kW, 480V, 14" Width, 16" Length, Right Front Corner Riser, 54" Rigid Riser, P8 Resettable fuse from 190degF to 210degF, 36" Teflon Conduit										