

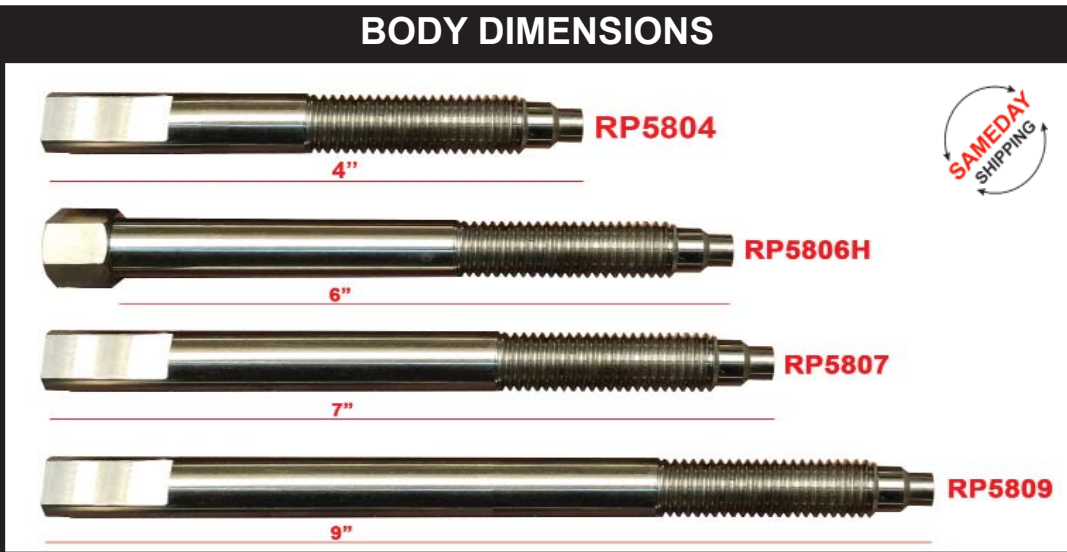
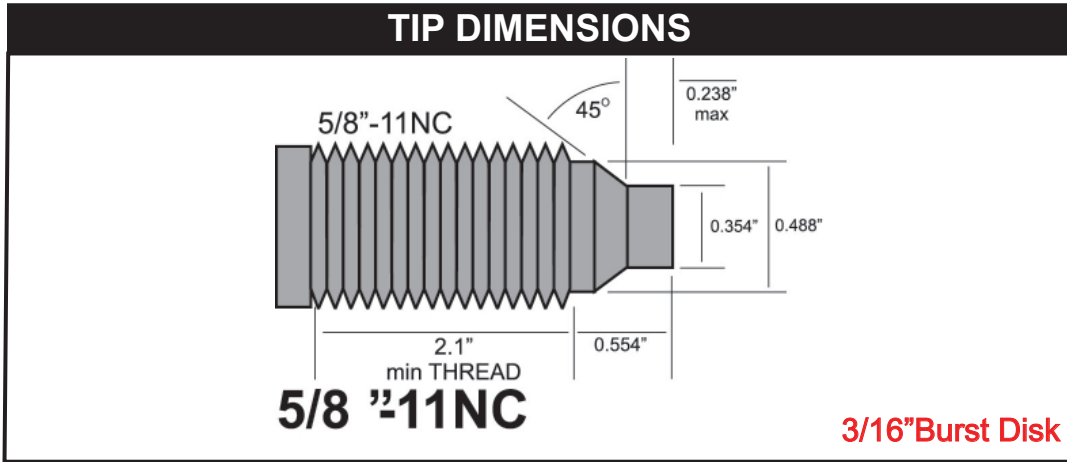
5/8"-11 UNC EXTRUDER RUPTURE DISKS

STANDARD FEATURES-

Max Temp - 750°F
 Inconel Diaphragm
 304 SS Body
 +/-5% Accuracy
 Welded Design
 Ranges from:
 0-1500 to 14,500psi
 100% Leak tested

OPTIONS

Max Temp - 1000°F
 Hastelloy Diaphragm
 DischargeThreads:
 1/4"NPT
 3/8"NPT
 1/2"NPT
 Others
 Custom Tip Dimensions

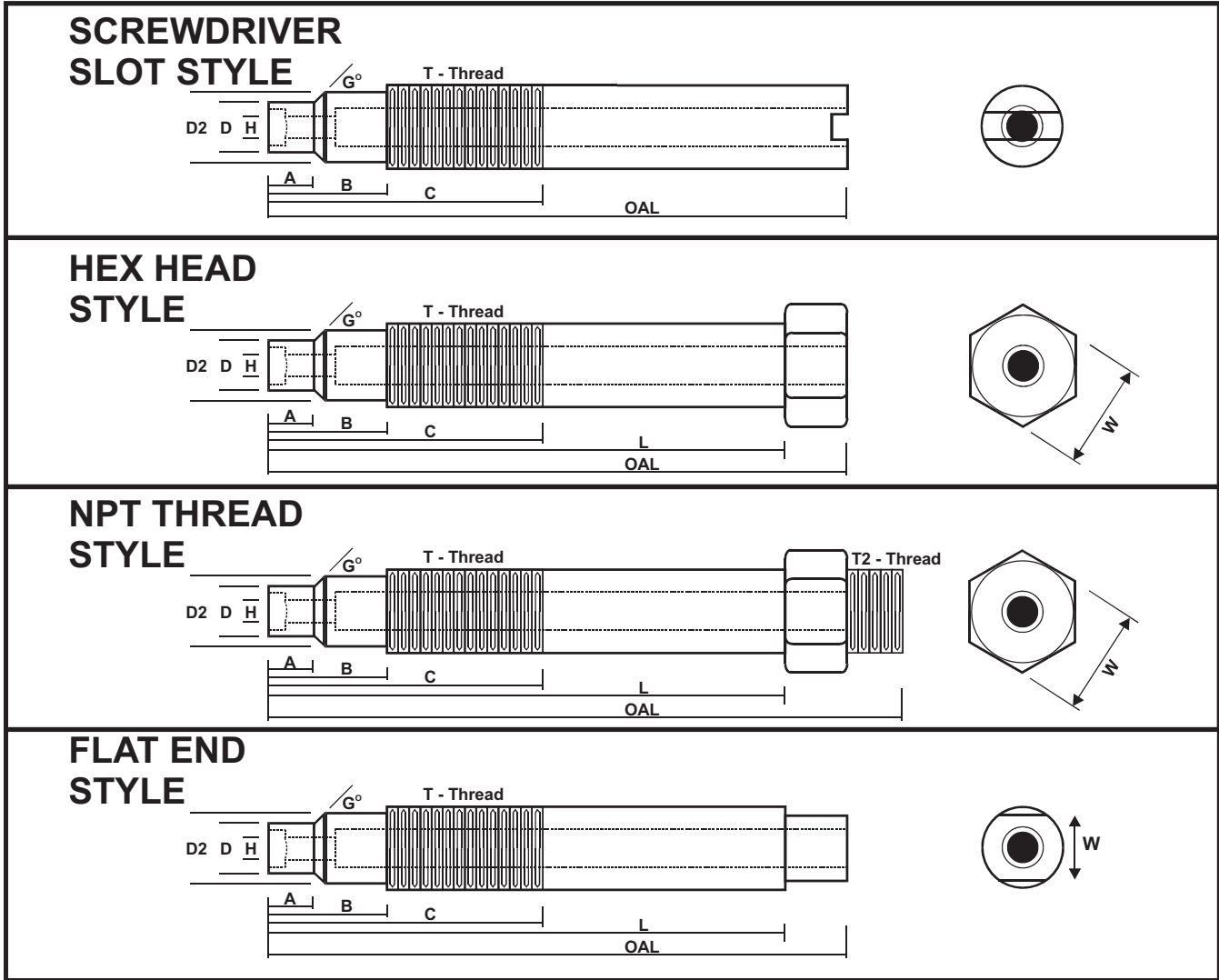


STOCK LIST - 5/8"-11 UNC Thread

LENGTH	5000psi	7500psi	9000psi	10,000psi
4"OAL - FLATS	RP5804-5000	RP5804-7500	RP5804-9000	RP5804-10000
6"L - HEX	RP5806H-5000	RP5806H-7500	RP5806H-9000	RP5806H-10000
7"OAL - FLATS	RP5807-5000	RP5807-7500	RP5807-9000	RP5807-10000
9"OAL - FLATS	RP5809-5000	RP5809-7500	RP5809-9000	RP5809-10000

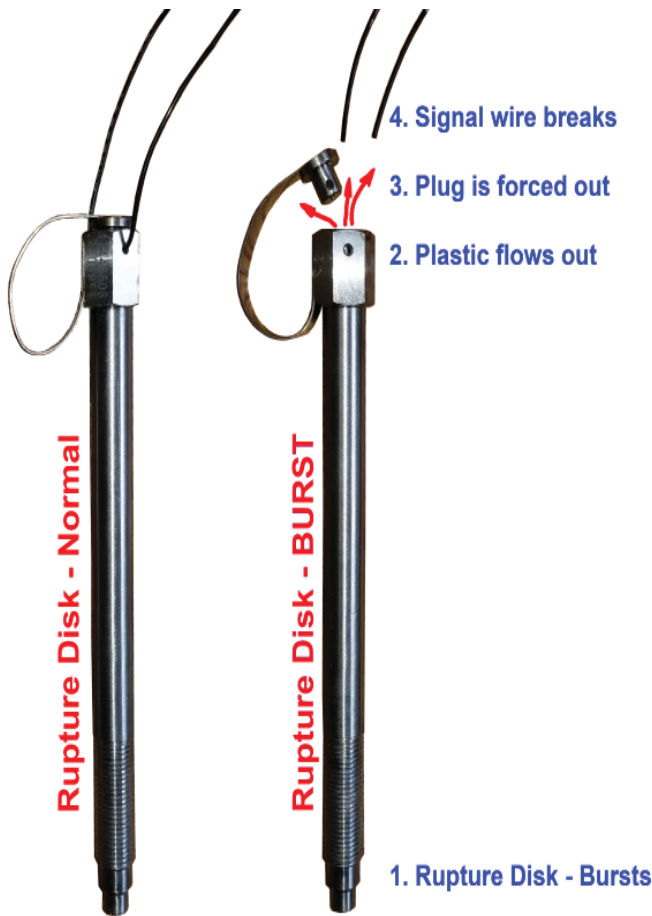
CUSTOM RUPTURE DISK DESIGNS

CUSTOM RUPTURE DISK SPECIFICATION SHEET



1. STYLE - Screwdriver HEX NPT FLATS
2. BODY MATERIAL - 304SS Other
3. DISC MATERIAL - Inconel Other
4. PRESSURE RATING - _____ psig at _____ °F
5. QUANTITY - _____
6. DIM: _____ H _____ D _____ D2 _____ A _____ B _____ C _____ L _____ OAL
 _____ W _____ G _____ T((Thread) _____ T2(Thread)

RUPTURE DISK with BURST INDICATION OPTION



“BI” - Burst Indication Option

STANDARD FEATURES

- Signal wire breaks when disk ruptures.
- Teflon insulated signal wire.
- Option for any Hex Head Extruder Rupture Disk
- Stainless steel body
- Inconel Burst Disk
- 100% Leak tested

Extruder Rupture Disks with Burst Indication (option - BI) offers an inexpensive signal output when the disk ruptures. A plug is fitted at the discharge end. A small hole is drilled through the hex head where a small diameter teflon insulated signal wire is placed through. When a rupture disc discharges, plastic flow causes the plug to pop out and shear the signal wire. This sheared wire can be used to send a signal to the control system.

BI - Burst Disk Option - can be added to any hex head rupture disk and can ship the same/next day.

ORDERING INFO

Using stock - **Part# RP1206-7500** - 1/2"-20unf x 6"L + Hex , 7500psi

With BI option - **Part# RP1206-7500-BI** - 1/2"-20unf x 6"L + Hex , 7500psi c/w BI - Burst Disk option

TRANSDUCER / RUPTURE DISK - TIP SPACERS

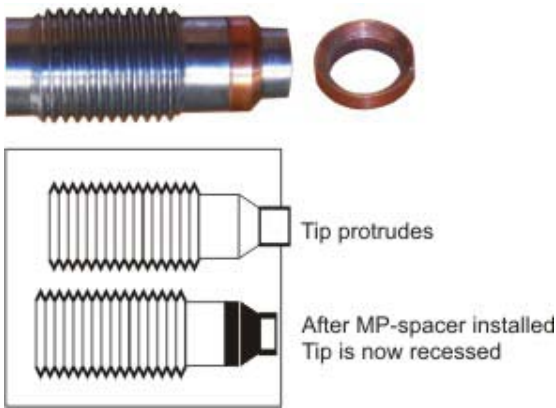
MPI melt pressure transducer/transmitter tip spacers are often used on old extruder barrels where sensor tips are protruding into the melt stream. Transducer tips should be recessed from the inner extruder barrel wall by approximately 0.010"-0.020" to prevent excessive wear and early failure of transducer diaphragms. Our tip spacers essentially push the diaphragm back from the inner wall, as shown in the diagram.

Melt Pressure Transducer Tip Spacer Features

Compatible with Dynisco, Gefran, GP50, and other melt pressure transducers and transmitters

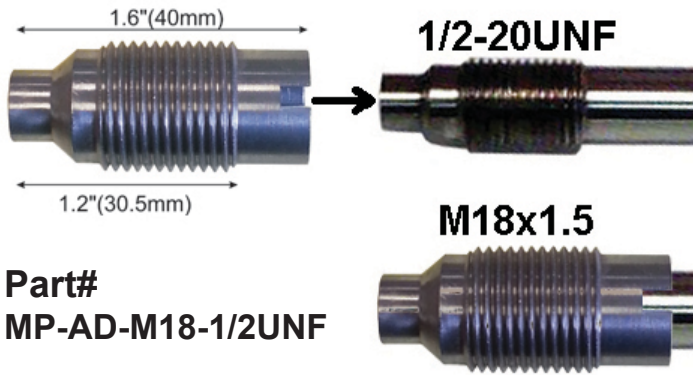
Available in thicknesses from 0.020" to 0.093"

Material options: copper, brass, stainless steel



STOCK LIST - TIP SPACER			
THICKNESS	1/2"-20 UNF	5/8"-11 UNC	3/4"-16 UNF
0.025" (0.64mm)	MP-SPACER-025	MP-SPACER5-025	MP-SPACER3-025
0.032" (0.81mm)	MP-SPACER-032	MP-SPACER5-032	MP-SPACER3-032
0.045" (1.14mm)	MP-SPACER-045	MP-SPACER5-045	MP-SPACER3-045
0.063" (1.60mm)	MP-SPACER-063	MP-SPACER5-063	MP-SPACER3-063
0.090" (2.29mm)	MP-SPACER-090	MP-SPACER5-090	MP-SPACER3-090

M18 to 1/2"-20UNF ADAPTOR



MPI - M18x1.5 to 1/2"-20UNF adaptors can be used as an emergency replacement to convert a stock 1/2"-20UNF transducer/transmitter to fit in a M18x1.5 non-stock pressure port.

Available - standard stock.

TRANSDUCER HOLE PLUG



MPI - Transducer hole plugs can be used to close a transducer pressure port that is no longer required.

Material - 304SS

STOCK LIST - HOLE PLUG			
LENGTH	1/2"-20 UNF	5/8"-11 UNC	3/4"-16 UNF
1.82" - SLOT	MP-PLUG-2		
3" + HEX	MP-PLUG-3		
6" + HEX	MP-PLUG-6		MP-PLUG3-6
7" + FLATS		MP-PLUG5-7	
8" + HEX	MP-PLUG-8		MP-PLUG3-8

MOUNTING HOLE DRILL KITS



MPI melt pressure transducer and transmitter mounting hole drill kits are used to make the highly precise holes that are required for proper pressure sensor and extruder rupture disk operation. Our drilling kits include tools for tip hole drilling, 45° seat surface, and thread tapping.

Drilling kits are available for the following threads: 1/2"-20UNF, 5/8"-11NC, 3/4"-16UNF, M18x1.5, and M14x1.5. Custom thread options are also available.

Please note that the drilling should be performed with zero pressure in the system.

STOCK LIST - DRILL KITS

MODEL	THREAD
MP-DRILL-1/2	1/2"-20 UNF
MP-DRILL-5/8	5/8"-11 UNC
MP-DRILL-3/4	3/4"-16 UNF
MP-DRILL-M18	M18x1.5
MP-DRILL-M14	M14x1.5

MOUNTING HOLE CLEANING KITS



MPI melt pressure transducer/transmitter mounting hole cleaning kits are used to clean plastic residue from dirty or plugged holes before installing pressure sensors or extruder rupture disks. Hardened plastic residue is one of the leading causes of failures of melt pressure sensors or extruder rupture disks. The hardened plastic residue can damage the fragile diaphragm on the tip of the pressure sensors and extruder rupture disks, and can make them ineffective.

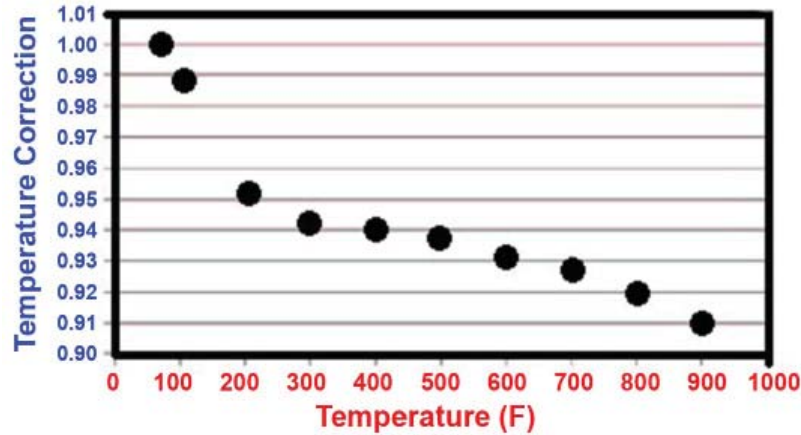
Cleaning kits include tools for tip hole cleaning, 45° seat surface, and thread cleaning. Please note that the cleaning should be performed when the polymer is molten, with zero pressure in the system.

Cleaning kits are available for the following threads: 1/2"-20UNF, 5/8"-11NC, 3/4"-16UNF, M18x1.5, and M14x1.5. Custom thread options are also available.

STOCK LIST - DRILL KITS	
MODEL	THREAD
MP-CLEAN-1/2	1/2"-20 UNF
MP-CLEAN-5/8	5/8"-11 UNC
MP-CLEAN-3/4	3/4"-16 UNF
MP-CLEAN-M18	M18x1.5
MP-CLEAN-M14	M14x1.5

BURST PRESSURE - TEMPERATURE DERATING

**Temperature Correction
Inconel Rupture Discs**

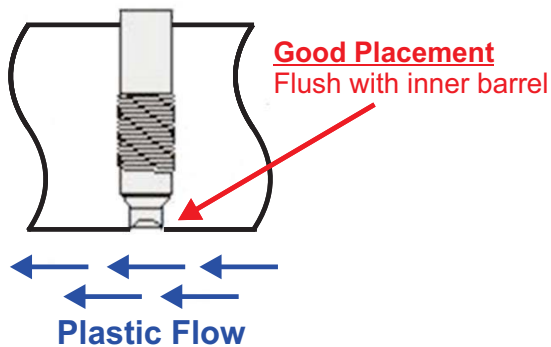


MPI's extruder rupture disks incorporate a standard Inconel burst disk. The Inconel disk allows the bursts plugs to be used over a wide temperature range with minimal burst pressure changes (a change of approximately 2% over the 300°F-600°F range). The chart below will help users estimate changes in rating based on temperature.

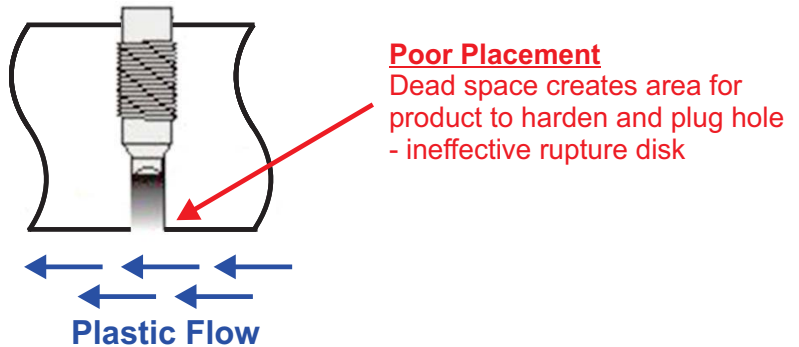
Note: The above chart is only valid for Inconel disk material. Other materials will have different derating curves.

PROPER EXTRUDER RUPTURE DISK INSTALLATION

Proper Placement



Poor Placement




To ensure proper operation, MPI's extruder rupture disks must be installed correctly. They must be installed flush with the inner extruder wall with a small recess of approximately 0.020". Too much dead space can allow the plastic material to harden and form a plug, which can cause the extruder rupture disks to be ineffective and create a safety hazard.

MPI MELT PRESSURE - Other Products

MPI MELT PRESSURE PRODUCTS

TRANSDUCERS & TRANSMITTERS



750°F (400°C) Mercury Fill
 660°F (350°C) Mercury Free Fill
 1000°F (538°C) NaK - Mercury Free Fill

INDICATORS , GAUGES, RUPTURE DISKS




TABLE of CONTENTS

MELT PRESSURE	MELT PRESSURE
MP STANDARD TRANSDUCERS.....pg. 2	MG DIGITAL GAUGES.....pg.18
MT STANDARD TRANSMITTERS.....pg. 4	MPG MECHANICAL GAUGES.....pg.19
MF MERCURY FREE.....pg. 6	MP INDICATOR / ALARM.....pg.20
MK NaK MERCURY FREE.....pg. 8	MG-IND LOCAL READOUT.....pg.21
MN NARROW SPACE.....pg.10	TEMPERATURE INDICATOR.....pg.22
MP SPECIAL DESIGNS.....pg.12	MELT TEMPERATURE SENSORS.....pg.22
MP ACCESSORIES.....pg.13	RUPTURE DISKS.....pg.24
MP ACCESS + CABLES.....pg.14	INDUSTRIAL / HYDRAULIC PRESSURE.....pg.26
MP CONNECTORS.....pg.15	MT-IND 4-20mA LOOP INDICATOR.....pg.26
MP WIRING.....pg.15	MHP320 FLUSH MOUNTpg.26
MP TECHNICAL NOTES.....pg.16	MHP HYDRAULIC TRANSDUCER.....pg.27
MP MOUNTING HOLE DIM.....pg.16	MHT HYDRAULIC TRANSMITTER.....pg.27

New Catalog available

MPI Melt Pressure (MPI) is a customer needs-driven manufacturer of plastic melt pressure products that has been operating out of Toronto, Canada since 1999. MPI is staffed by engineers and technicians with an average of 20 years of industry experience. We work hard to ensure that all our products provide a worry-free experience.

MPI Melt Pressure offers products to directly replace models from Dynisco, Gefran, Gentran, Terwin, ISI, and GP50 with no wiring changes required.

Our huge, in-stock inventory helps minimize your downtime. 90% of orders are shipped same-day and delivered next-day to the United States and Canada. We also provide full engineering and technical support via telephone from 8am-4pm EST.

Products manufactured by MPI Melt Pressure Include :

- Melt Pressure Transducers
- Melt Pressure Transmitters
- Melt Pressure Digital and Mechanical Gauges
- Melt Pressure Indicators and Alarms
- Extruder Rupture Disks

MPI Melt Pressure Inc. - About Us

MPI Melt Pressure has built Melt Pressure Transducers and Transmitters and Extruder Rupture Disks at our factory in Toronto, Canada since 1999. MPI engineers bring over 50 years of experience visiting and solving technical problems in the plastic extrusion industry in some of the most difficult environments. During this time we have experienced just about all the types of problems that can be encountered, and use this vast knowledge base to assist all our current customers.

Our philosophy is to provide cost competitive Melt Pressure Transducers, Transmitters and Rupture Disks with the quickest delivery and best technical support in the industry. Currently, 90% of our custom products ship out within 1-2 days. Our goal is to ship all orders the same day as we receive the order.

MPI provides full manufacturing operations in our Toronto plant including design, assembly, full testing and certifications in house. We have a fully trained manufacturing staff, with in house technicians and engineers available 12 hours, 5 days a week to aid customers with design selection and technical issues.

With continuous product development at our R&D lab we have implemented a Six Sigma philosophy with Lean manufacturing for continuous improvements. These continuous advancements translates to leading edge products with the best delivery for our customers.

Call MPI anytime you need Melt Pressure Transducer/Transmitter or Rupture Disks guidance or quick delivery of custom made products.



REPRESENTATIVE

MPI Morheat Inc.

21 Meteor Dr., Toronto
Ontario, Canada M9W 1A3
ph (800) 817-3486
ph (416) 675-7329
fx (416) 675-7349
sales@mpimorheat.com

Dist.aug.2018