

A200 SERIES - BENDABLE PROBE THERMOCOUPLES + RTD's

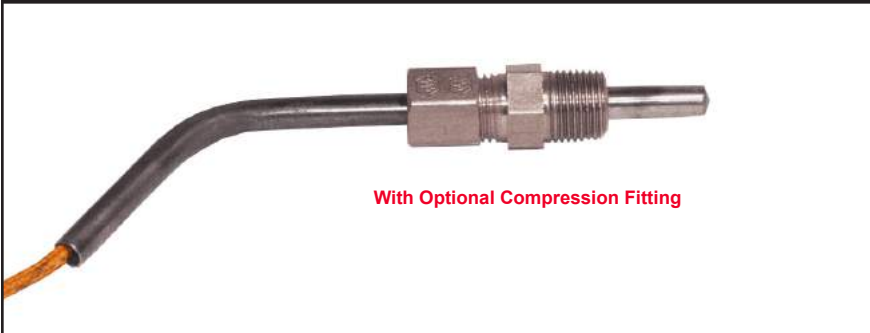
A200 STYLE - STRAIGHT



STANDARD FEATURES

- 3/16" DIAMETER PROBE
- COMPRESSION FITTING
- GROUNDED SENSOR
- 24 AWG FIBERGLASS LEADS
- WITH STAINLESS STEEL BRAID
- STRIPPED LEADS

A245 STYLE - 45°



OPTIONS - A200

THERMOCOUPLE TYPE OPTIONS

Type J Type K

Type T 2 or 3 Wire RTD

48,72,96,120" ARMOR

CUSTOM

CUSTOM LEAD MATERIAL

TERMINATION OPTIONS

SEE NEXT PAGE

UNGROUND

1/8" NPT X 7/8" L BAYONET ADAPTER

METRIC DOUBLE SLOT CAP

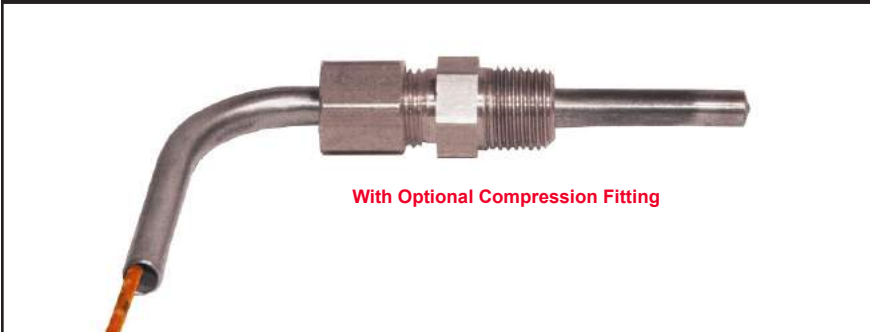
NIST TRACEABLE

CUSTOM COMPRESSION FITTINGS

SPECIAL OPTIONS AVAILABLE UPON

REQUEST

A290 STYLE - 90°

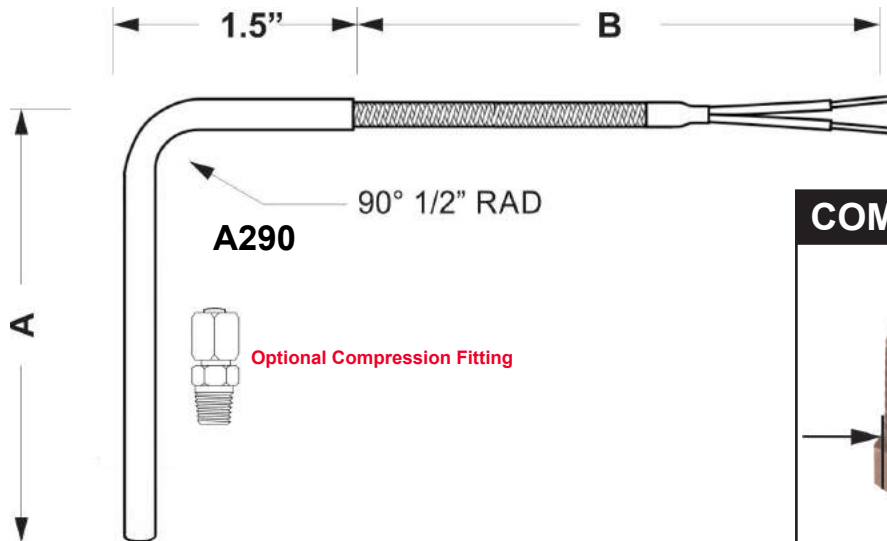
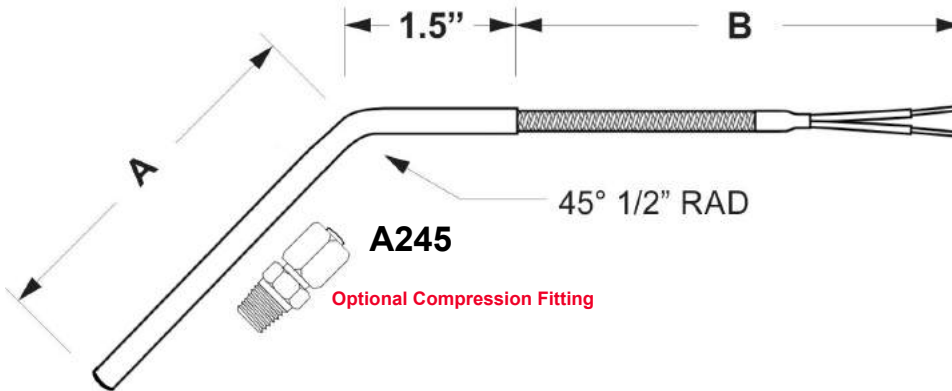
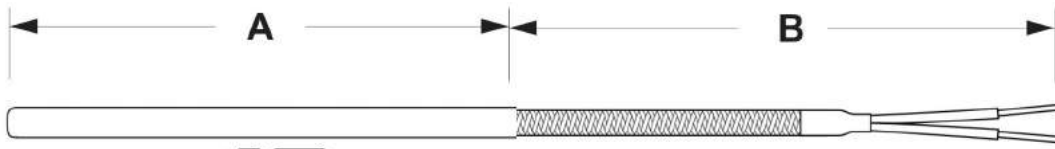


STOCK - A200/A245/A290

TYPE	JUNCTION	Length (A)	PART# (c/w bare wire)	PART# (c/w male plug)
J	Grounded	36"	A2XXJ-2.5-36-0-B-X	A2XXJ-2.5-36-2-B-X
J	Grounded	48"	A2XXJ-2.5-48-0-B-X	A2XXJ-2.5-48-2-B-X
J	Grounded	72"	A2XXJ-2.5-72-0-B-X	A2XXJ-2.5-72-2-B-X
J	Grounded	96"	A2XXJ-2.5-96-0-B-X	A2XXJ-2.5-96-2-B-X
J	Grounded	120"	A2XXJ-2.5-120-0-B-X	A2XXJ-2.5-120-2-B-X
J	Grounded	144"	A2XXJ-2.5-144-0-B-X	A2XXJ-2.5-144-2-B-X
J	Grounded	180"	A2XXJ-2.5-180-0-B-X	A2XXJ-2.5-180-2-B-X
J	Grounded	240"	A2XXJ-2.5-240-0-B-X	A2XXJ-2.5-240-2-B-X

WE STOCK A200 SERIES IN STRAIGHT, 45° AND 90° PROBES WITH ANY COMPRESSION FITTING. ***PLEASE SPECIFY WHEN ORDERING***

A2XX - DIMENSIONS



TERMINATIONS

0 - STRIPPED LEADS

1 - FORK TERMINALS

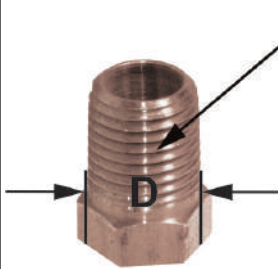
2 - STANDARD MALE PLUG

3 - STANDARD FEMALE

4 - MINI MALE PLUG

5 - MINI FEMALE JACK

COMPRESSION FITTING



MEASURE THE DIAMETER AT THE THICKER END OF THE TAPERED THREAD

NPT THREADS

NPT THREAD SIZE	D DIMENSION
1/8" NPT	0.405"
1/4" NPT	0.540"
1/2" NPT	0.840"

A2XX - ORDER CODE

AXXX	X	-	D	A	B	X	X	X	X
ANGLE	TYPE	DIAMETER	LENGTH	LENGTH	TERMINATION	LEADS	OPTIONS	COMPRESSION FITTINGS	
200 - STRAIGHT	J - TYPE J	1/8 - 1/8"	2.5 - 2.5"	48 - 48"	0 - STRIPPED LEADS	F - FIBERGLASS	U - UNGROUNDED	N - NO FITTING	
245 - 45°	K - TYPE K	3/16 - 3/16"	X - CUSTOM	72 - 72"	1 - FORK TERMINALS	B - STAINLESS BRAID	B - 1/8" NPT X 7/8" L. BAYONET ADAPTER	S2 - 1/2" NPT STAINLESS	
290 - 90°	T - TYPE T	1/4 - 1/4"		96 - 96"	2 - STANDARD MALE PLUG	H - STAINLESS HOSE	M - METRIC DOUBLE SLOT CAP	S4 - 1/4" NPT STAINLESS	
	RTD2 - PT100	X - CUSTOM		120 - 120"	3 - STANDARD FEMALE JACK	T - TEFLON	X - SPECIAL	S8 - 1/8" NPT STAINLESS	
	RTD3 - PT100			X - CUSTOM	4 - MINI MALE PLUG	S - FIBERGLASS STRANDED	C - NIST TRACEABLE	B2 - 1/2" NPT BRASS	
					5 - MINI FEMALE JACK			B4 - 1/4" NPT BRASS	
								B8 - 1/8" NPT BRASS	

****Standard Lead Time for Custom Parts 3-5 days MFG****
If you need something that is not listed, contact us! We can probably make it