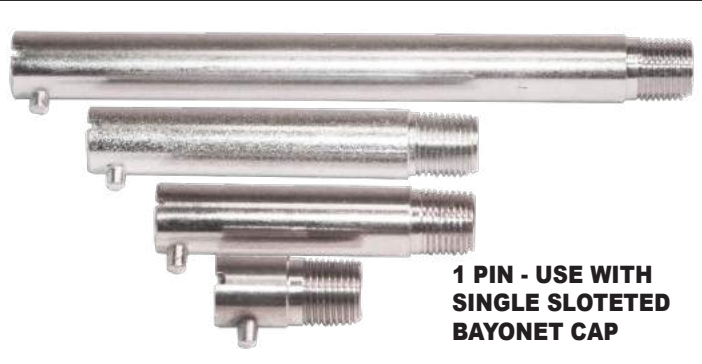


**BAYONET ADAPTERS - NORTH AMERICAN STANDARD + INSTALATION**

**BAYONET ADAPTERS - NA STANDARD**

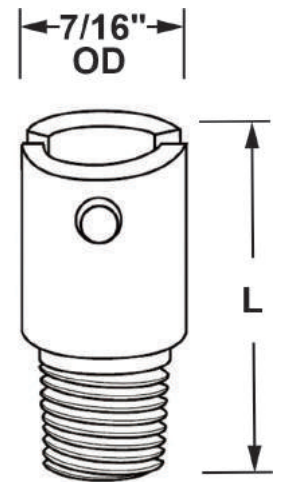
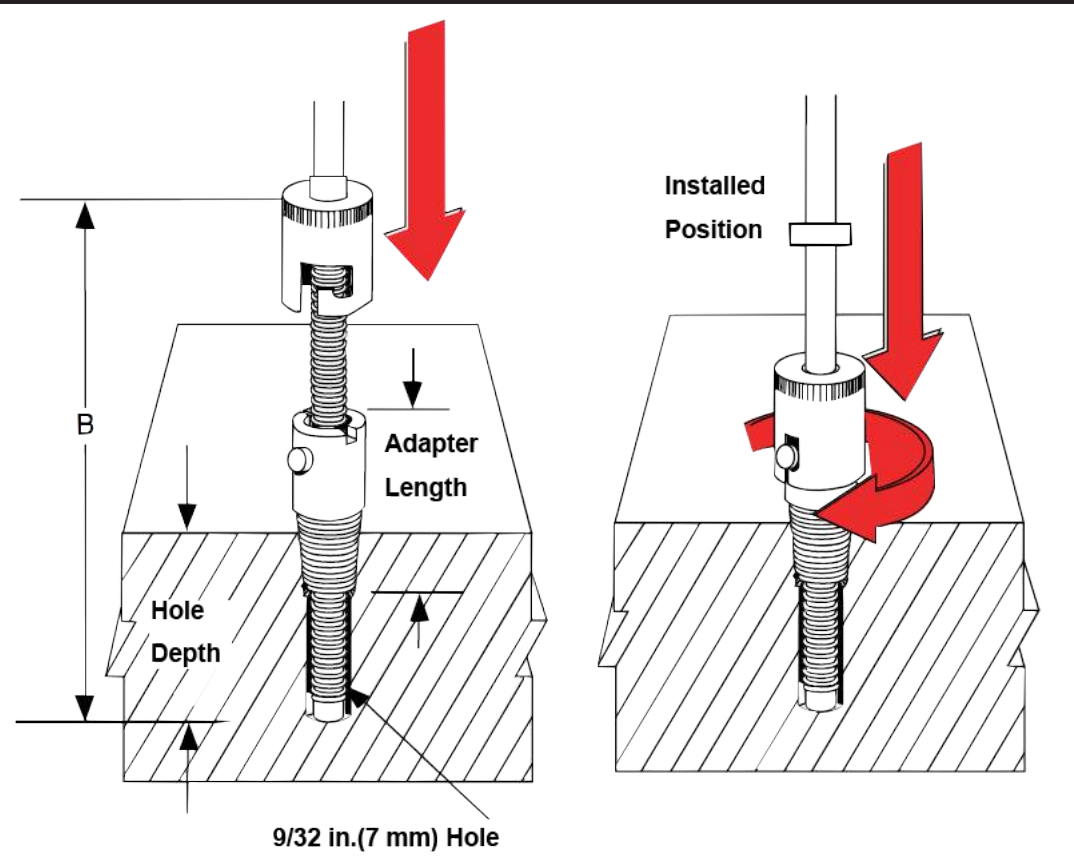


**BAYONET ADAPTERS**

Bayonet Adapters are used in conjunction with bayonet cap thermocouples (A500, A510, A100, A145, A190).

The sensor tip is inserted into the bayonet adapter, the spring is compressed, and then the bayonet cap is locked into place ensuring a tight fit between the sensing junction and the measuring surface. This increases the sensor accuracy and response time.

**BAYONET ADAPTERS - INSTALATION**



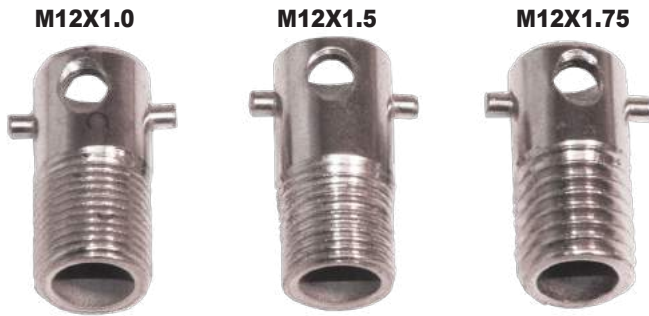
**BAYONET ADAPTER - ORDER CODE**

**BA - L X**

LENGTH	THREAD
1 - 7/8"	1 - 1/8"-27 NPT
2 - 1 1/2"	2 - 3/8"-24 NF
3 - 2 1/2"	
4 - 3 1/2"	

METRIC & PIPE CLAMP BAYONET ADAPTERS

METRIC BAYONET ADAPTERS - M12

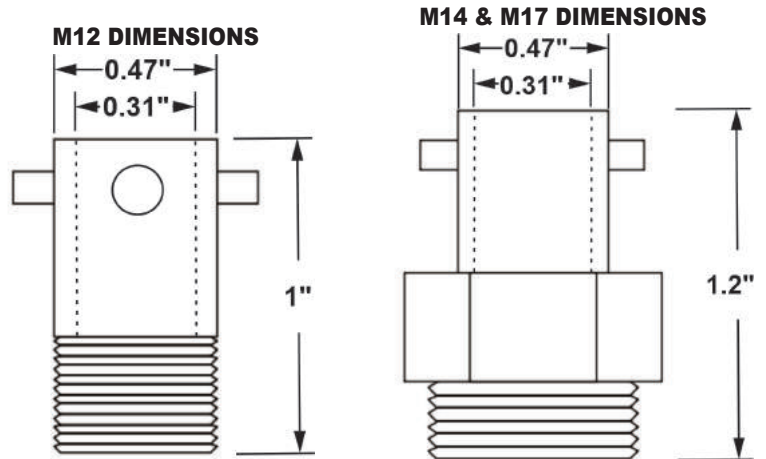


2 PIN - USE WITH DOUBLE SLOTTED METRIC BAYONET CAP

METRIC ADAPTER - ORDER CODE

**BA - TxP**

- THREAD x PITCH**  
 M12x1.0 - M12 THREAD/ 1.0mmPITCH  
 M12x1.5 - M12 THREAD/ 1.5mmPITCH  
 M12x1.75 - M12 THREAD/ 1.75mmPITCH  
 M14x1.5 - M14 THREAD/ 1.5mmPITCH  
 M17x1.4 - M17 THREAD/ 1.4mmPITCH  
 X - SPECIAL



PIPE CLAMP BAYONET ADAPTER



PIPE CLAMP BAYONET ADAPTERS

Pipe Clamp Bayonet Adapters allow thermocouple placement without drilling and tapping of holes to attach the adapters. The bayonet adapter sits external to the pipe. This is ideal for smaller diameter pipe temperature measurement.

PIPE CLAMP BAYONET ADAPTER - ORDER CODE

**BA - PIP - D**

- THREAD x PITCH**  
 M12x1.0 - M12 THREAD/ 1.0mmPITCH  
 M12x1.5 - M12 THREAD/ 1.5mmPITCH  
 M12x1.75 - M12 THREAD/ 1.75mmPITCH  
 M14x1.5 - M14 THREAD/ 1.5mmPITCH  
 M17x1.4 - M17 THREAD/ 1.4mmPITCH

PIPE CLAMP BAYONET ADAPTER DIMENSIONS

