

A500/ A510 - ADJUSTABLE BAYONET THERMOCOUPLES + RTD's

A500 STYLE - S/S BRAID



A510 STYLE - S/S ARMOR



STANDARD FEATURES

- 3/16" DIAMETER PROBE
- FITS STANDARD BAYONET ADAPTERS
- 12" SPRING
- GROUNDED SENSOR
- 24 AWG FIBERGLASS LEADS WITH STAINLESS STEEL BRAID (A500)
- STAINLESS STEEL HOSE (A510)
- STRIPPED LEADS
- NA STANDARD BAYONET CAP

OPTIONS - A500/ A510

- THERMOCOUPLE TYPE OPTIONS
 - Type J Type K
 - Type T 2 or 3 Wire RTD
- 48,72,96,120" ARMOR
- CUSTOM
- TERMINATION OPTIONS
- SEE NEXT PAGE
- UNGROUNDING
- 1/8" NPT X 7/8" L BAYONET ADAPTER
- M12 DOUBLE SLOT CAP
- M15 DOUBLE SLOT CAP
- SPECIAL OPTIONS AVAILABLE UPON REQUEST

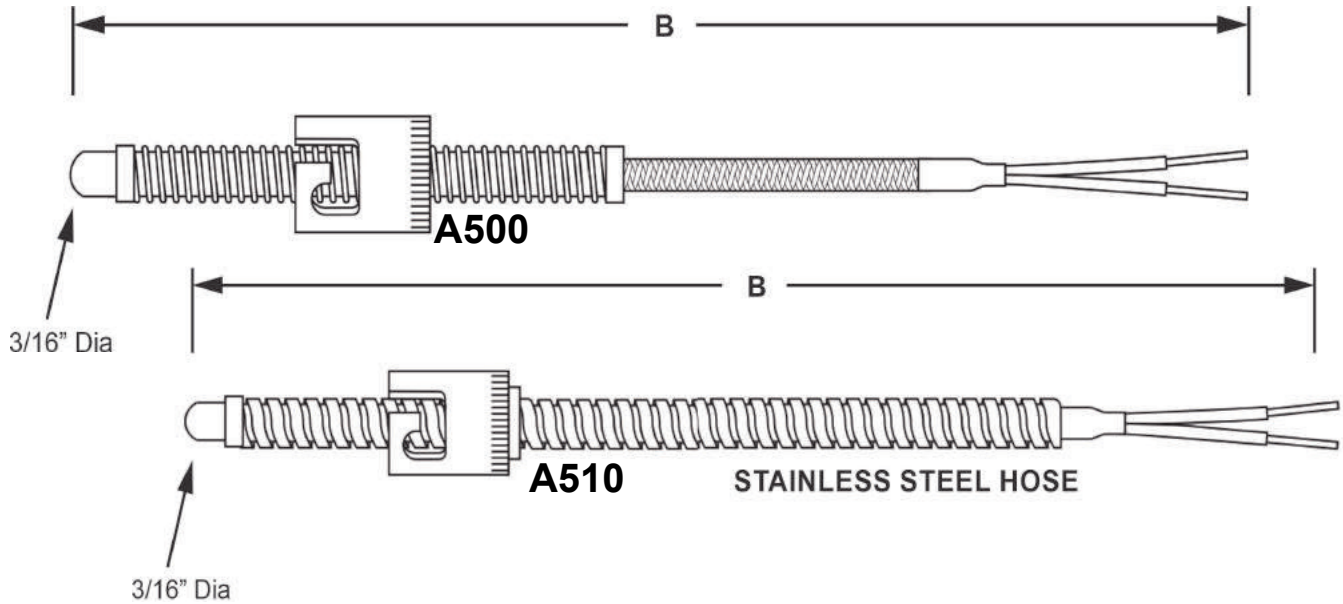
STOCK - A500 (S/S BRAID)

| TYPE | JUNCTION | Length (B) | PART# (c/w bare wire) | PART# (c/w male plug) |
|------|----------|------------|--------------------------|--------------------------|
| J | Grounded | 36" | A500J-36-0 | A500J-36-2 |
| J | Grounded | 48" | A500J-48-0 | A500J-48-2 |
| J | Grounded | 72" | A500J-72-0 | A500J-72-2 |
| J | Grounded | 96" | A500J-96-0 | A500J-96-2 |
| J | Grounded | 120" | A500J-120-0 | A500J-120-2 |
| J | Grounded | 144" | A500J-144-0 | A500J-144-2 |
| J | Grounded | 180" | A500J-180-0 | A500J-180-2 |
| J | Grounded | 240" | A500J-240-0 | A500J-240-2 |

STOCK - A510 (S/S HOSE)

| TYPE | JUNCTION | Length (B) | PART# (c/w bare wire) | PART# (c/w male plug) |
|------|----------|------------|--------------------------|--------------------------|
| J | Grounded | 36" | A510J-36-0 | A510J-36-2 |
| J | Grounded | 48" | A510J-48-0 | A510J-48-2 |
| J | Grounded | 72" | A510J-72-0 | A510J-72-2 |
| J | Grounded | 96" | A510J-96-0 | A510J-96-2 |
| J | Grounded | 120" | A510J-120-0 | A510J-120-2 |
| J | Grounded | 144" | A510J-144-0 | A510J-144-2 |
| J | Grounded | 180" | A510J-180-0 | A510J-180-2 |
| J | Grounded | 240" | A510J-240-0 | A510J-240-2 |

A500/ A510 - DIMENSIONS

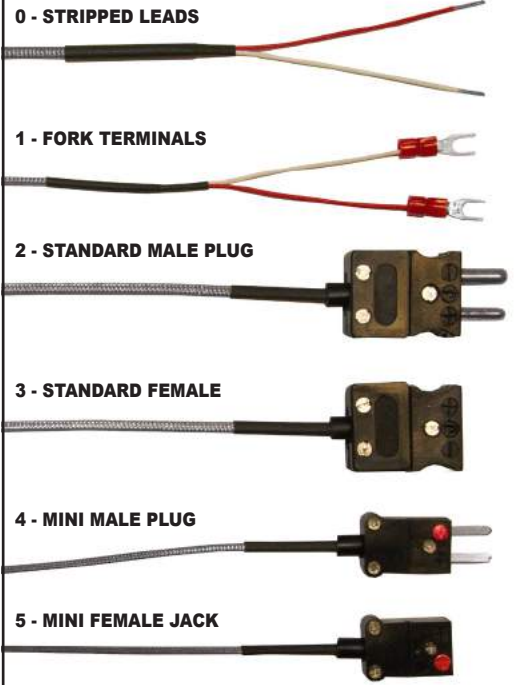


BAYONET CAP SPECIFICATIONS



| | NORTH AMERICAN STANDARD | M12 | M15 |
|-----------------|-------------------------|--------|------|
| ID | 11.4mm | 12.3mm | 15mm |
| NUMBER OF SLOTS | 1 | 2 | 2 |
| PRODUCT CODE | - | M12 | M15 |

TERMINATIONS



A500/ A510 - ORDER CODE

| | | | | | | | |
|-----------------|-------------|-------------------|----------|--------------------------|----------|---------------------------------------|----------|
| AXXX | X | - | B | - | X | - | X |
| MODEL | TYPE | LENGTH | | TERMINATION | | OPTIONS | |
| 500 - S/S BRAID | J - TYPE J | 48 - 48" | | 0 - STRIPPED LEADS | | U - UNGROUNDED | |
| 510 - S/S HOSE | K - TYPE K | 72 - 72" | | 1 - FORK TERMINALS | | B - 1/8" NPT X 7/8" L BAYONET ADAPTER | |
| | RTD - PT100 | 96 - 96" | | 2 - STANDARD MALE PLUG | | M12 - M12 DOUBLE SLOT CAP | |
| | | 120 - 120" | | 3 - STANDARD FEMALE JACK | | M15 - M15 DOUBLE SLOT CAP | |
| | | X - CUSTOM LENGTH | | 4 - MINI MALE PLUG | | X - SPECIAL | |
| | | | | 5 - MINI FEMALE JACK | | | |

****Standard Lead Time for Custom Parts 3-5 days MFG****
If you need something that is not listed, contact us! We can probably make it