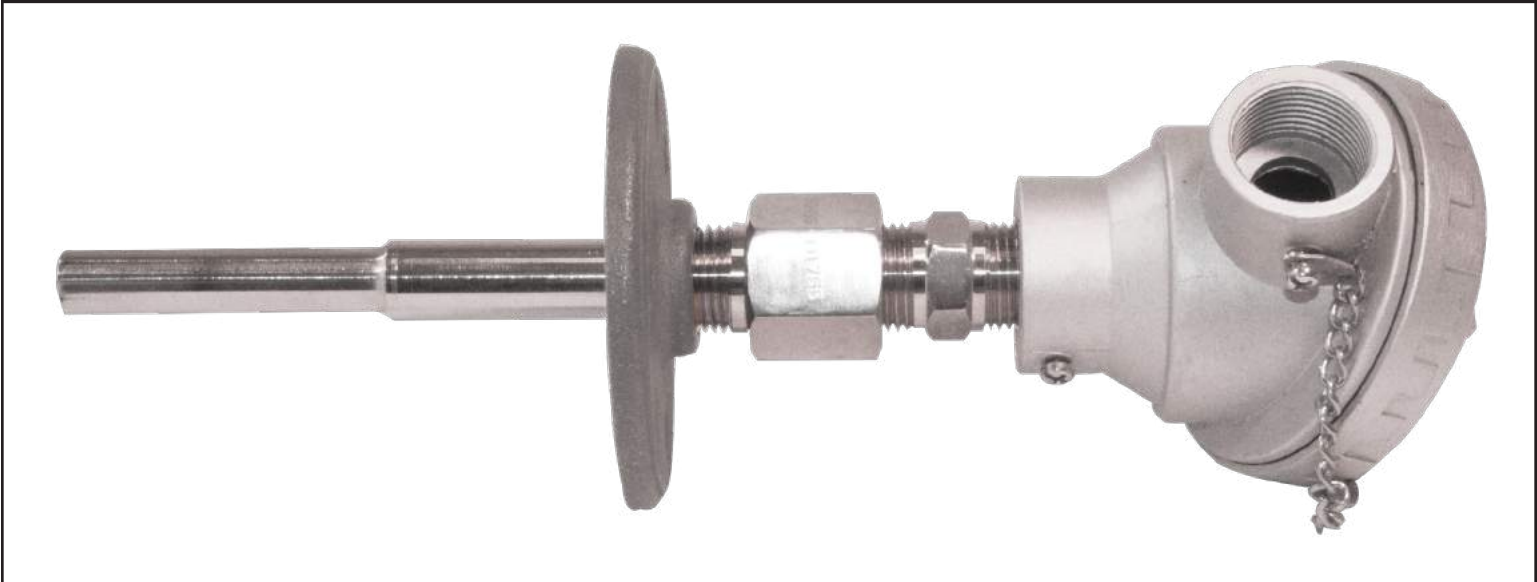


A4995 -FLANGE THERMOWELL SENSOR ASSEMBLIES

A4995 - FLANGE STYLE



FLANGE THERMOWELL SENSOR ASSEMBLIES

Flanged thermowell's are used when pressure, high velocity, and corrosive process media exist. The sensing element is isoplated from the process allowing for fast and easy removal without the need to shut down the process. A4995 thermowell assemblies can be custozimed based on stem size, flange size (custom flanges available), head material and stem material.

These thermowell's offer an excellent solution for protecting the process while extending the sensor life.

OPTIONS - A4995

THERMOCOUPLE TYPE OPTIONS (SINGLE AND DUPLEX)

- Type J Type K
- Type T 3 or 4 Wire RTD
- 4, 6, 8, 10" STEM LENGTH
- CUSTOM
- 1, 1.5, 2" FLANGE
- CUSTOM
- JUNCTION TYPES
- EXPOSED 3 OR 4 WIRE
- GROUNDLED UNGROUNDED
- CUSTOM HEAD MATERIAL

STANDARD TERMINAL BLOCK

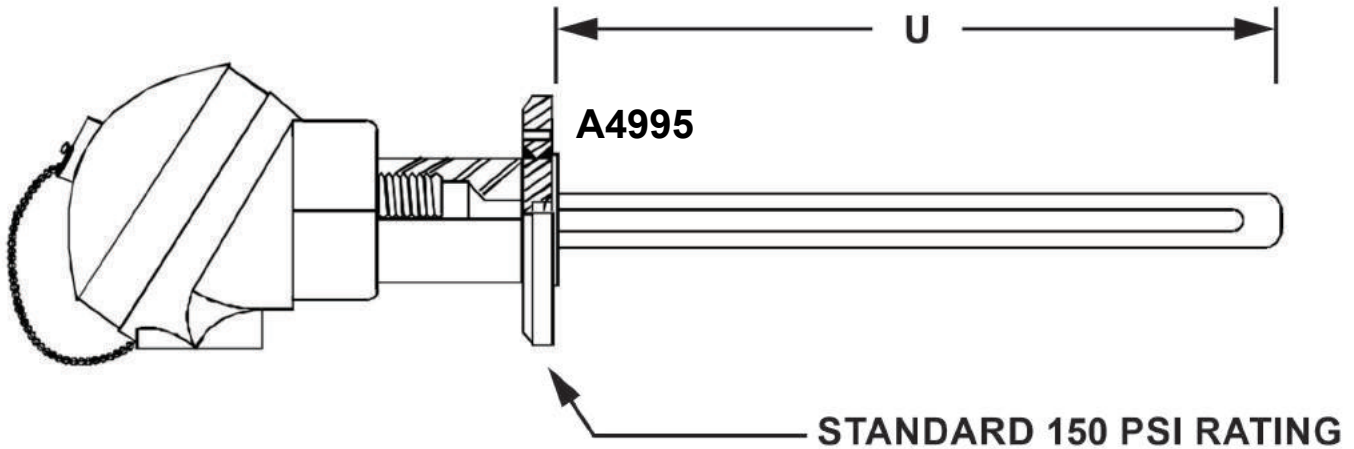


T - TRANSMITTER (RANGE)



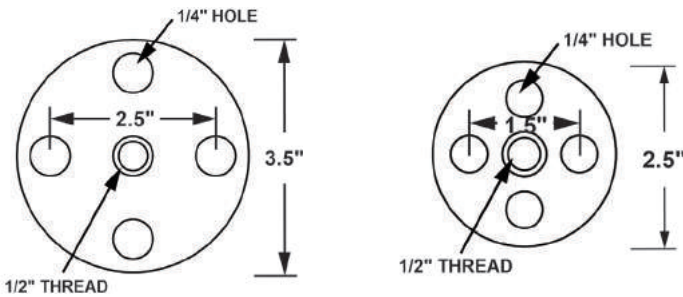
WE CAN PROGRAM THE TRANSMITTER
****SPECIFY OUTPUT WHEN ORDERING****

A4995 - DIMENSIONS



FLANGE DIMENSIONS

3.5F - 3.5" FLANGE 2.5F - 2.5" FLANGE



U - SEPERATE UNION AND NIPPLE



ALLOWS THE USER TO CHOOSE THE DIRECTION OF LEADWIRE EXIT ON THE HEAD

A4995 - OPTIONS

| OPTION CODE | DESCRIPTION |
|----------------|---|
| SPRING LOADED | SENSING ELEMENT IS SPRING LOADED WITHIN THERMOWELL. INCREASED RESPONSE TIME, INCREASE ACCURACY. |
| NIST TRACEABLE | PRODUCT WILL BE CERTIFIED BY NATIONAL INSTITUTE OF STANDARDS AND TECHNOLOGY (NIST) |
| 300 PSI FLANGE | FLANGE HAS A PRESSURE RATING OF 300PSI |
| 600 PSI FLANGE | FLANGE HAS A PRESSURE RATING OF 600PSI |

A4995 - ORDER CODE

A4995XX

| | | | | | |
|----------------------------|--------------------|--------------------|-----------------|-------------------------------|---|
| TYPE | STEM LENGTH | FLANGE | JUNCTION | HEAD MATERIAL | OPTIONS |
| J - TYPE J | 4 - 4" (101mm) | 1F - 1" FLANGE | E - EXPOSED | I - CAST IRON | S6 - 316SS |
| JJ - DUPLEX TYPE J | 6 - 6" (152mm) | 1.5F - 1.5" FLANGE | G - GROUNDED | AL - LARGE CAST ALUMINUM | I600 - INCONEL 600 |
| K - TYPE K | 8 - 8" (203mm) | 2F - 2" FLANGE | U - UNGROUNDED | AS - SMALL CAST ALUMINUM | I800 - INCOLOY 800 |
| KK - DUPLEX TYPE K | 10 - 10" (254mm) | | 3 - 3-WIRE | PL - PLASTIC | T - TRANSMITTER (RANGE) |
| T - TYPE T | X - CUSTOM | | 4 - 4-WIRE | ALE - CAST ALUMINUM EXPLOSION | S - SPRING LOADED |
| TT - DUPLEX TYPE T | | | | FDA - FDA COMPLIANT PLASTIC | U - SEPERATE UNION & NIPPLE |
| T - TYPE T | | | | E - EPOXY COATED ALUMINUM | N - NO TERMINAL BLOCK TRANSMITTER READY |
| RTD - PT100(200°C) | | | | FDAF - FDA COMPLIANT FLIP TOP | C - NIST TRACEABLE |
| RTDD - DUPLEX PT100(200°C) | | | | | 3 - 300 PSI FLANGE |
| RT4 - PT100(400°C) | | | | | 6 - 600 PSI FLANGE |
| RT44 - DUPLEX PT100(400°C) | | | | | |

****Standard Lead Time for Custom Parts 3-5 days MFG****
If you need something that is not listed, contact us! We can probably make it