

## A4945 -CIP SANITARY REDUCED TIP RTD'S

### A4945 - REDUCED TIP STYLE



### SANITARY TRI-CLAMP

Sanitary thermowells are most used in Dairy, Pharmaceutical, and Food Processing industries. They allow the removal of a thermocouple without dropping the pressure or losing contents. The Triclamp series allows for easy cleaning in order to prevent contamination in the process.

Reduced Tip Style:

Allows faster response time

MPI sanitary thermowell's are used when pressure, high velocity and corrosive media are present in the process. The thermowell isolates the sensor from the process, allowing for removal and replacement of the sensor without shutting down the process.

Reduced Tip Style for Faster response time compared to A4940

### STANDARD TERMINAL BLOCK

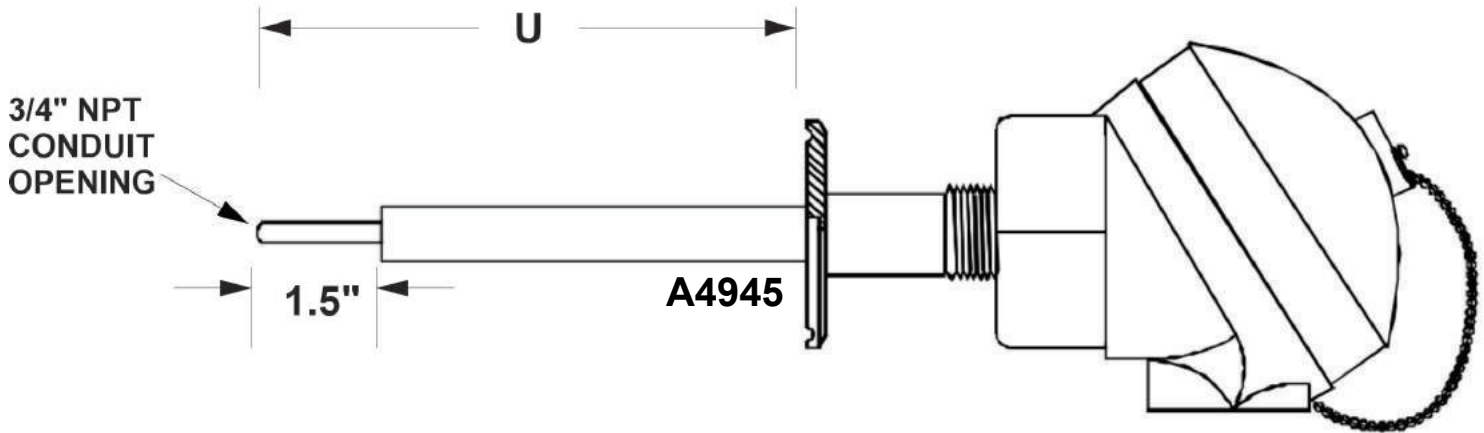


### T - TRANSMITTER (RANGE)

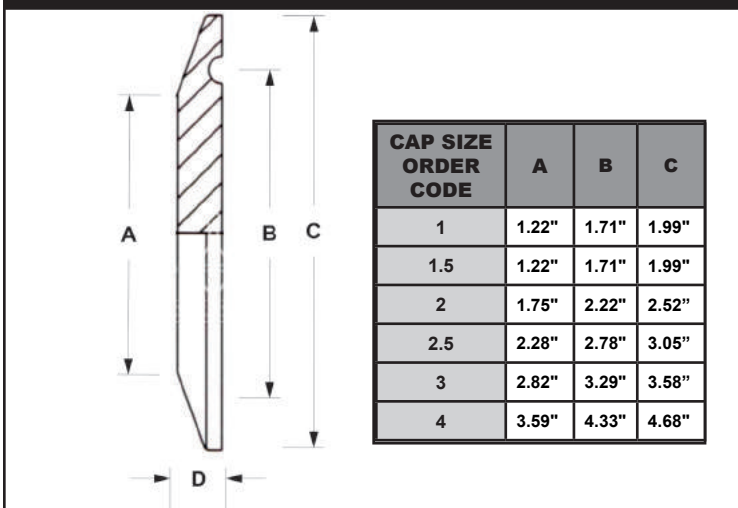


**WE CAN PROGRAM  
THE TRANSMITTER  
\*\*SPECIFY OUTPUT  
WHEN ORDERING\*\***

## A4945 - DIMENSIONS



## CAP SIZES



## A4995 - OPTIONS

OPTION CODE	DESCRIPTION
SPRING LOADED	SENSING ELEMENT IS SPRING LOADED WITHIN THERMOWELL. INCREASED RESPONSE TIME, INCREASE ACCURACY.
NIST TRACEABLE	PRODUCT WILL BE CERTIFIED BY NATIONAL INSTITUTE OF STANDARDS AND TECHNOLOGY (NIST)
300 PSI FLANGE	FLANGE HAS A PRESSURE RATING OF 300PSI
600 PSI FLANGE	FLANGE HAS A PRESSURE RATING OF 600PSI

## A4945 - ORDER CODE

**A4945XX - U - X - X - X - X - X**

<b>TYPE</b>	<b>STEM LENGTH</b>	<b>STEM MATERIAL</b>	<b>JUNCTION</b>	<b>HEAD MATERIAL</b>	<b>CAP SIZE</b>	<b>OPTIONS</b>
J - TYPE J	4 - 4" (101mm)	ST - STEEL	E - EXPOSED	I - CAST IRON	1.5 - 1.5" (38mm)	T - TRANSMITTER (RANGE)
JJ - DUPLEX TYPE J	6 - 6" (152mm)	S - 304SS	G - GROUNDED	AL - LARGE CAST ALUMINUM	2 - 2" (51mm)	S - SPRING LOADED
K - TYPE K	8 - 8" (203mm)	S6 - 316SS	U - UNGROUNDED	AS - SMALL CAST ALUMINUM	3 - 3" (76.2mm)	U - SEPERATE UNION & NIPPLE
KK - DUPLEX TYPE K	10 - 10" (254mm)	I600 - INCONEL 600	3 - 3-WIRE	PL - PLASTIC	4 - 4" (101.6mm)	N - NO TERMINAL BLOCK TRANSMITTER READY
T - TYPE T	X - CUSTOM	I800 - INCOLOY 800	4 - 4-WIRE	ALE - CAST ALUMINUM EXPLOSION		C - NIST TRACEABLE
TT - DUPLEX TYPE T				FDA - FDA COMPLIANT PLASTIC		3 - 300 PSI FLANGE
RTD - PT100(200°C)				E - EPOXY COATED ALUMINUM		6 - 600 PSI FLANGE
RTDD - DUPLEX PT100(200°C)				FDAF - FDA COMPLIANT FLIP TOP		
RT4 - PT100(400°C)						
RT44 - DUPLEX PT100(400°C)						

**\*\*Standard Lead Time for Custom Parts 3-5 days MFG\*\***  
**If you need something that is not listed, contact us! We can probably make it**