

MLN - RODLESS STYLE



STANDARD FEATURES

- 50 to 1500mm STROKE
- OUTPUT - 5kOHM, 10kOHM (650-1000)
20kOHM (1250-1500)
- LINEARITY +/-0.05%, INFINITE RESOLUTION
- CONNECTOR - 4 PIN (DIN 43650-ISO4400)
- DISPLACEMENT SPEED - 10m/s MAX
- MECHANICAL LINKAGE - M5 THREAD ON ROD
- OPERATING TEMP - -30 to +100OC
- IP50

SPECIFICATIONS	
LINEARITY	0.05%
MAX VOLTAGE	60V
PROTECTION	IP50
INSULATION RESISTANCE	>500V
MAX DISPLACE SPEED	10m/s
LIFE	>100x10 ⁶ Cycles
CASE MATERIAL	Anodized Aluminium, Nylon
RESISTANCE ELEMENT	Conductive Plastic
MECH MOUNTING	M6 with Ball Joint, Varied Length Brackets

MECHANICAL/ELECTRICAL DATA		50	75	100	130	150	175	200	225	250	275	300	350	375	400	425	450	500	550	600	650	700	750	800	900	1000	1250	1500	
TOTAL ELECTRICAL TRAVEL	mm	53	78	103	133	153	178	204	229	254	279	304	354	380	406	432	457	508	558	609	659	710	762	812	914	1017	1271	1521	
ACTIVE ELECTRICAL TRAVEL	mm	51	76	101	131	151	176	202	227	252	277	302	352	378	404	430	455	506	556	607	657	708	760	810	912	1015	1269	1519	
RESISTANCE .20%	k	5	5	5	5	5	5	5	5	5	5	5	5	5	5	5	5	5	5	5	10	10	10	10	10	10	20	20	
INDEPENDENT LINEARITY	.%	0.07	0.07	0.07	0.07	0.07	0.07	0.07	0.07	0.07	0.07	0.07	0.07	0.07	0.05	0.05	0.05	0.05	0.05	0.05	0.05	0.05	0.05	0.05	0.05	0.05	0.05	0.05	
MECHANICAL TRAVEL	mm	63	88	113	143	163	188	214	239	264	289	314	364	390	416	442	467	518	568	619	669	720	772	822	924	1027	1281	1531	
RESOLUTION		Infinite																											
RECOMMENDED CURSOR CURRENT	A	<1																											
TEMPERATURE RANGE	°C	-30°C to 100°C (-22°F to 212°F)																											
DIMENSIONS (A)	mm	198	223	248	278	298	323	349	374	399	424	449	499	525	551	577	602	653	703	754	804	855	907	957	1059	1162	1416	1666	

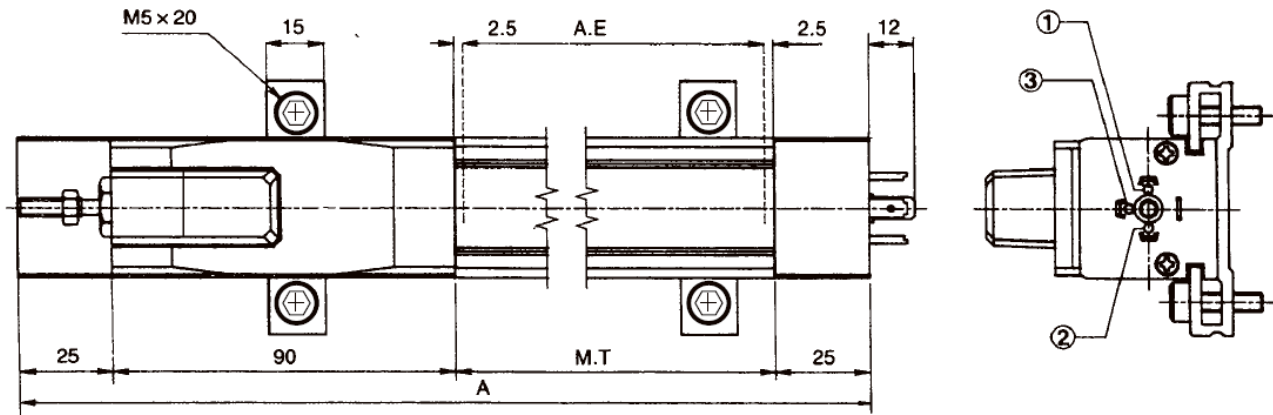
MLN - ORDER CODE

MLN-XX(XX)

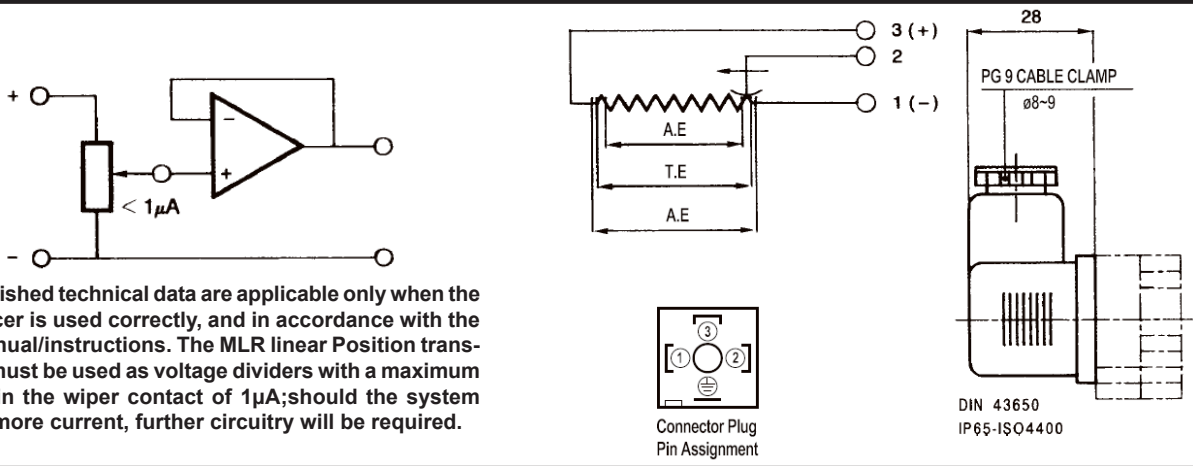
LENGTH mm
See Table Above

MLN - RODLESS STYLE

DIMENSIONS



ELECTRICAL



COUPLING JOINT

COUPLING JOINT

