

## ML12 - 12.9mm ø ROD STYLE

## ML12 - 12.9mm ø ROD STYLE


**ML12-S**

**ML12-F**

**ML12-A**

### STANDARD FEATURES

**10 - 150mm STROKE**  
**OUTPUT - 1k, 2k, 3k, 4k, 5kOHM**  
**LINEARITY +/-0.05%**  
**INFINITE RESOLUTION**  
**CONNECTOR - 3POLE CABLE**  
**DISPLACEMENT SPEED - 5m/s**  
**MECHANICAL LINKAGE - M4, BALL JOINT, FLANGE**  
**IP60**

### OPTIONS

**IP65**

### MECHANICAL/ELECTRICAL DATA

MODEL		10	25	50	75	100	125	150
TOTAL ELECTRICAL TRAVEL	mm	11	26	51	76	101	126	151
ACTIVE ELECTRICAL TRAVEL	mm	10	25	50	75	100	125	150
RESISTANCE .20%	k	1	1	2	3	4	5	5
INDEPENDENT LINEARITY	.%	0.3	0.2	0.1	0.1	0.1	0.05	0.05
MECHANICAL TRAVEL	mm	15	30	55	80	105	130	155
RESOLUTION		Infinite						
RECOMMENDED CURSOR CURRENT	A	<1						
TEMPERATURE RANGE	°C	-30°C to 100°C (-22°F to 212°F)						
DIMENSIONS (A) ML12-S	mm	59.5	74.5	99.5	124.5	149.5	174.5	199.5
DIMENSIONS (A) ML12-A	mm	87	102	127	152	177	202	227
DIMENSIONS (A) ML12-F	mm	59.5	74.5	99.5	124.5	149.5	174.5	199.5
DIMENSIONS (B)	mm	27	42	67	92	117	142	167
DIMENSIONS (C)	mm	138	153	178	203	228	253	278
NET WEIGHT ML12-S	g	30	45	55	65	75	85	95
NET WEIGHT ML12-A	g	55	70	80	90	100	110	120
NET WEIGHT PL12-F	g	45	60	70	80	90	100	110

## ML12 - ORDER CODE

**ML12 - X**

-

**XX(X)**

-

**X**

#### MOUNTING

**S** - BRACKETS

**A** - SELF ALIGNING BALL JOINTS

**F** - FLANGE

#### Length mm(Inch)

See Table Above

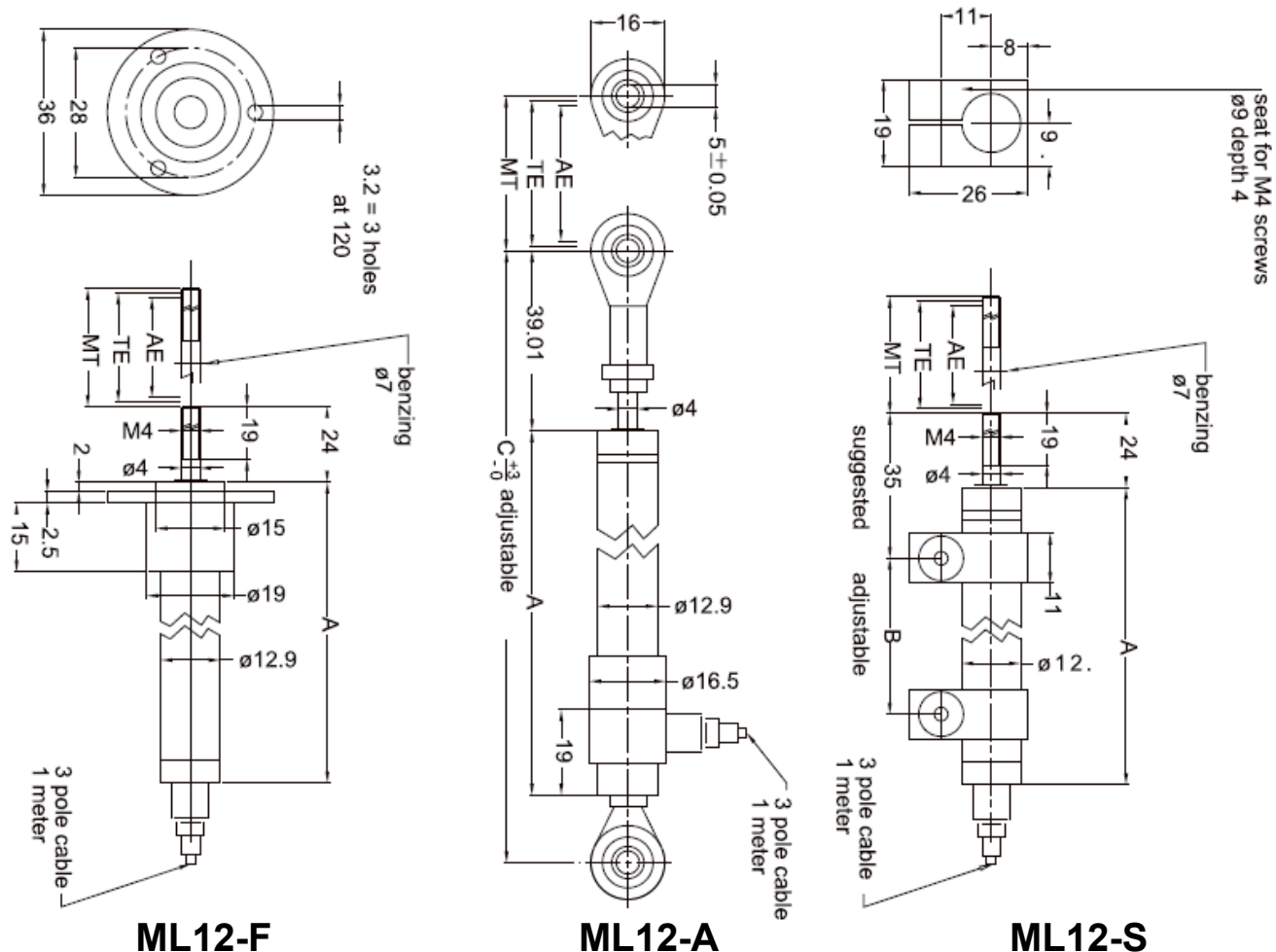
#### SEAL

**<blank>** - IP60

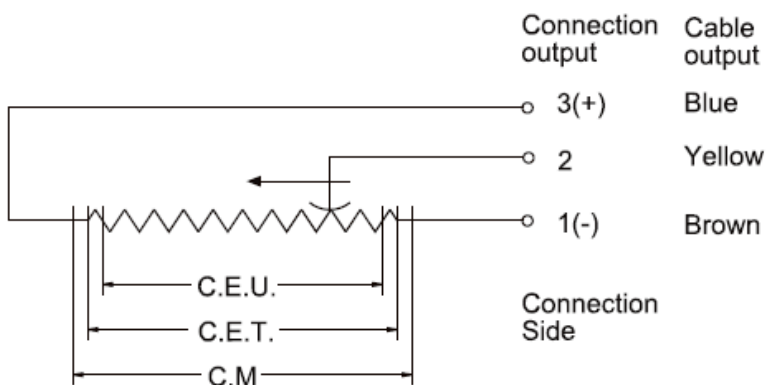
**P** - IP65

## ML12 - 12.9mm ø ROD STYLE

### DIMENSIONS



### ELECTRICAL CONNECTIONS



### SPECIFICATIONS

LINEARITY	0.05%
MAX VOLTAGE	60V
PROTECTION	IP60 (Option - IP65)
INSULATION RESISTANCE	>500V
MAX DISPLACE SPEED	5m/s
LIFE	>100x10 <sup>6</sup> Cycles
CASE MATERIAL	Anodized Aluminium, Nylon
CONTROL ROD	Stainless Steel
RESISTANCE ELEMENT	Conductive Plastic
MECH MOUNTING	Variable Length Brackets