

CERAMIC POST TERMINAL COVERS



DESCRIPTION

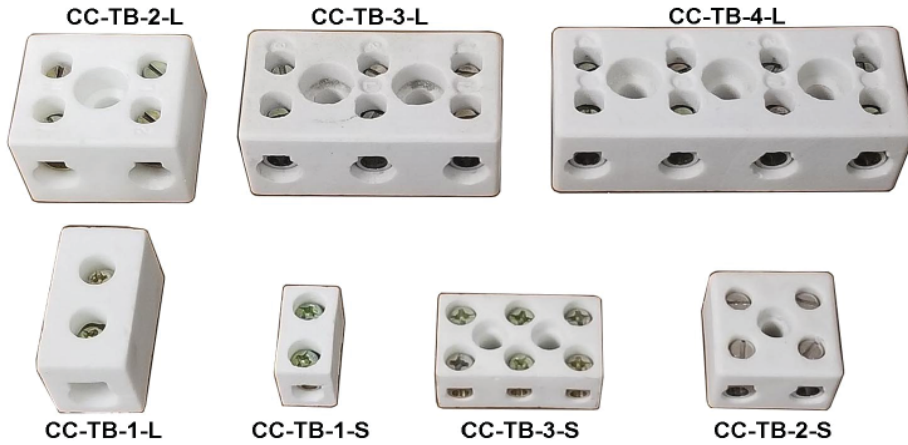
MPI Ceramic post terminal covers are often used on band and strip heaters that have post terminals to provide high temperature electrical protection. (up to 1000°F)

Can be factory installed , or customer installed.



CERAMIC POST TERMINAL COVERS		
PART#	ID(in)	OD(in)
CC10-24	TOP 10-24 Thread	0.795"D x 0.35"H
CC10-32	TOP 10-32 Thread	0.795"D x 0.35"H
CC1/4-20	TOP 1/4"-20 Thread	0.795"D x 0.35"H
CCROUND-BASE	BASE - Round	0.795"D x 0.60"H x 0.548"ID
CCBOX-BASE	BASE - Box	0.819"W x 1.375"L x 0.569"H

CERAMIC TERMINAL BLOCKS



DESCRIPTION

Max Temperature - 750°F (400°C)
 Max Volts - 600VAC
 Material - Ceramic Body
 c/w Brass Terminals

Used for wiring of heater power and thermocouple connections in high temperature locations.

CERAMIC TERMINAL BLOCKS

PART#	# POLES	Max Wire Size	L(in)	W(in)	H#(in)	Mount Holes (number)	Mount Holes (Dia)	Mount Holes (center/center)
CC-TB-1-S	1	12 AWG	0.42"	0.77"	0.58"	0	0.242"	n/a
CC-TB-1-L	1	8 AWG	0.64"	1.23"	0.81"	0	0.242"	n/a
CC-TB-2-S	2	10 AWG	0.93"	0.93"	0.62"	1	0.167"	n/a
CC-TB-2-L	2	8 AWG	1.30"	1.14"	0.90"	1	0.230"	n/a
CC-TB-3-S	3	12 AWG	1.22"	0.72"	0.57"	2	0.170"	0.436"
CC-TB-3-L	3	8 AWG	2.05"	1.14"	0.89"	2	0.236"	0.742"
CC-TB-4-L	4	8 AWG	2.79"	1.14"	0.89"	3	0.242"	0.736"

CERAMIC WIRE NUTS



SPECIFICATIONS

Max Temperature - 1200°F (645°C)
 Max Volts - 300VAC
 Material - Ceramic Body

DESCRIPTION

MPI Ceramic Wire Nuts Connectors are often used for high temperature wire connections on electric heaters.

CERAMIC WIRE CONNECTORS						
PART#	Wire Range	MIN	MAX	L(in)	OD(in)	ID(in)
CC-HI-1	18-14 AWG	2 #18	1#18 + 2x#16	0.69"	0.41"	0.25"
CC-HI-5	18-14 AWG	2 #18	2x#18 + 2x#16	0.75"	0.48"	0.32"
CC-HI-7	18-14 AWG	2 #18	4x#16	0.85"	0.53"	0.41"
CC-HI-9	18-14 AWG	2 #18	XXXXX	XXXX	XXXX	XXX
CC-CSB-16	18-8 AWG	2 #18	2x #8	1.03"	0.72"	XXX

CERAMIC BEADS (in paper sleeves)



DESCRIPTION

MPI Ceramic beads are used to insulated bare wire in extremely high temperature applications(up to 1000°F) .

Ceramic beads are supplied in paper sleeves that make installation on wire easy, and the rip cord provides easy paper sleeve removal.

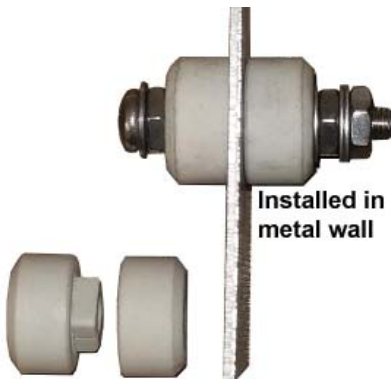
CERAMIC BEADS - 12" Paper Sleeves)			
PART#	ID(in)	OD(in)	PCS/ft
CC-IBEAD-1	0.055"	0.130"	90
CC-IBEAD-2	0.071"	0.165"	70
CC-IBEAD-3	0.091"	0.209"	60
CC-IBEAD-5	0.126"	0.335"	40
CC-IBEAD-6	0.157"	0.394"	35
CC-IBEAD-7	0.177"	0.441"	30
CC-IBEAD-8	0.217"	0.500"	25
CC-IBEAD-9	0.236"	0.512"	20
CC-IBEAD-12/13	0.260"	0.402"	40

CERAMIC INSULATING BUSHING (Passthrough)

DESCRIPTION

MPI Ceramic insulating bushing / passthroughs are designed to be used to allow a electrical connection in a high temperature area, and a lower temperature connection on the other side. (up to 1000°F) .

Ceramic insulating bushing / passthroughs come complete with a 304SS screw and 3 sets of nuts and washers.



CERAMIC BUSHING / Passthrough		
PART#	CERAMIC DIM(in)	SCREW DIM(in)
CC-PT-10	0.723"OD 0.205"ID 0.770"L	#10 304ss 1.3"L 3-nuts 3-washers
CC-PT-0.25	0.858"OD 0.271"ID 0.720"L	1/4" 304ss 2"L 3-nuts 3-washers