

PROCESS INDICATOR / ALARM

MPI

MD9400
MD9410

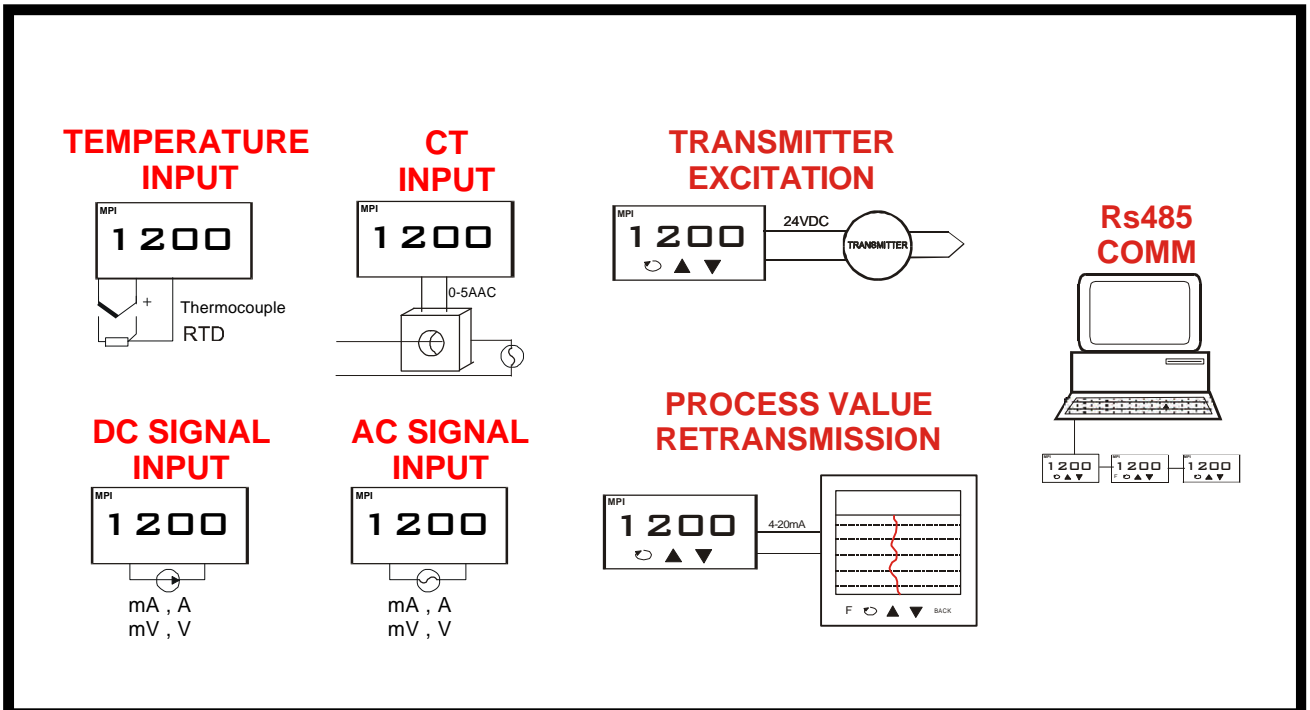


STANDARD

- 0.8" LARGE DISPLAY
- 10 SECURITY OPTIONS
- UNIVERSAL INPUT
- 1 ALARM - 18 TYPES
- POWER - 85-265VAC

OPTIONS

- 3 ALARMS - 18 TYPES
- 24VDC EXCITATION
- 4-20mA RETRANSMISSION
- POWER - 24VDC
- RS485 COMMUNICATIONS



MD - PROGRAMMABLE INDICATOR + 3 ALARMS

1. INPUT

Thermocouple	J, K, T, R, S, E, N, C
RTD	Pt100 ohms RTD (DIN 43760/BS 1904 or JIS)
Linear Voltage	-10 to 60mVDC
Linear Current	0-20, 4-20mADC
CT Input	0-5amp CT
Voltage	0-600V AC/DC
Range	User configurable
Accuracy	+/-2C for T/C, +/-0.2C for RTD, +/-0.05% for Linear input.
Cold Junc. Comp	0.1% ambient typical.
Input Impedance	10M ohms for T/C, 100K ohms for Linear Voltage, 2.7 Ohms for 0 (4)- 20 mA/
Ex. Current for RTD	0.2mA Max.
Sample Rate	500mS

2. CONTROL

Proportional Band	0.0-100.0%
On-Off	With adjustable hysteresis
Cycle Time	0-60 seconds.
Control Action	Configurable for Direct (cooling) or Reverse (Heating)

3. OUTPUT

Relay	5A/240VAC resistive.
Pulsed Voltage	Isolated 24 VDC 100mA Max.
Current	Isolated 0 (4) - 20 mA Max load 500 ohms.

3. ALARMS

Relay	5A/240VAC resistive.
-------	----------------------

4. RETRANSMISSION of PV

Current	Isolated 0 (4) - 20 mA Max load 500 ohms.
---------	---

5. POWER

Rating	85 - 265 VAC 50/60Hz	5VA max
	24VDC (OPTION)	

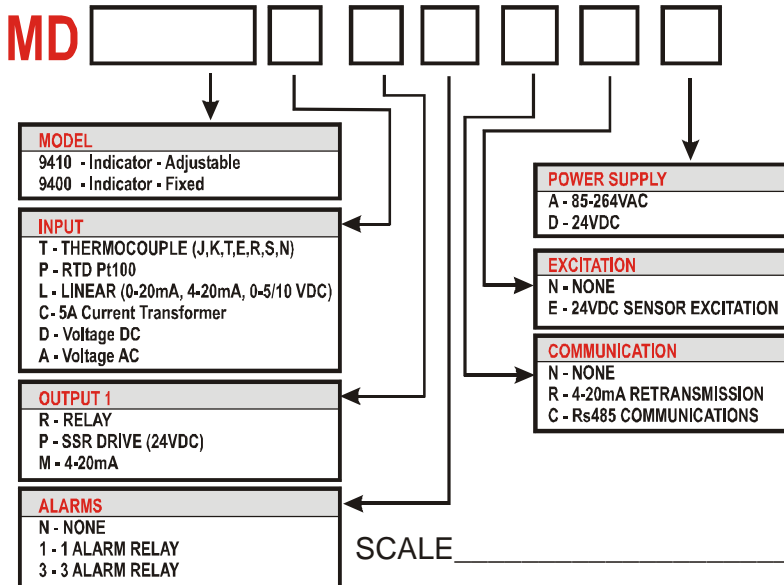
6. ENVIRONMENTAL

Operating Temp	-10 - 50C
Humidity	- 90%
Insulation	20M ohms minimum @ 500VDC
EMC Emission	EN500081-1:1992, EN55022:1994
EMC Immunity	EN 50082-1:1992, IEC 801-3, IEC 801-4:1988

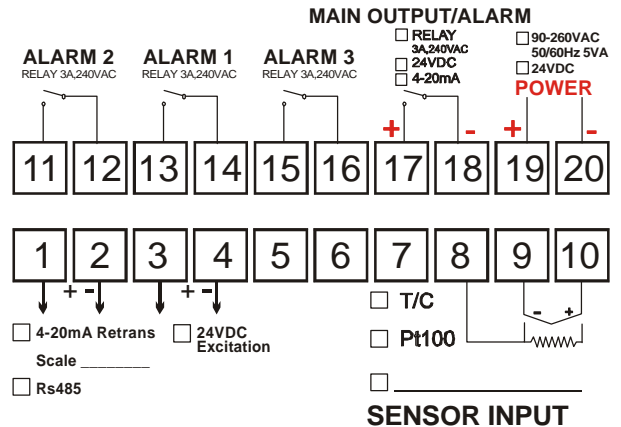
7. PHYSICAL DIMENSIONS

Size	96mmW x 48mmH x 80mmD
Weight	240g

MODEL CODE



WIRING DIAGRAM



TORONTO, ONT., CANADA
TOLL FREE (800) 817-3486
PH (416) 744-3486
FX (416) 744-1075

DISTRIBUTOR :
