

3 PHASE SOLID STATE RELAY - STANDARD DIN-RAIL/RETROFIT

3PSS 3-PHASE SSR



DESCRIPTION

A Solid State Relay family designed to switch various loads such as heating elements, motors and transformers. The relay is capable of switching voltages up to 600 VAC rms. The built-in varistor is for heavy industrial applications. For higher reliability and load cycle capability three semiconductor power units are bonded directly to the substrate.

STANDARD FEATURES

- 3-phase Solid State Relay
- Zero switching
- Rated operational current: 3 x 75 AMPS
- Rated operational voltage: 600 VAC
- Control voltage 3PSS60A75 24-50 VDC/24-275 VAC
- 3PSS60D75 4-32 VDC
- Line & Load accepts: 8-18 AWG
- Integral snubber network
- Built-in varistor
- IP10 back-of-hand protection
- LED indication of control input
- Heat Sink and 24 VDC Fan Included
- 120 VAC Fan Optional

TESTED AND APPROVED

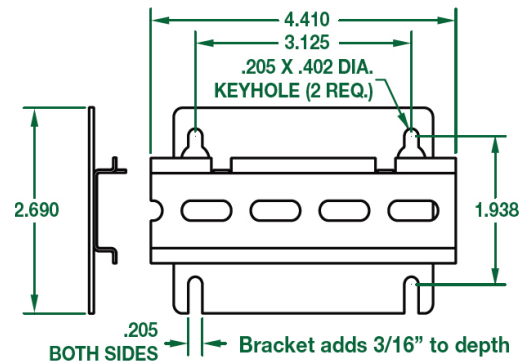
3 Pole 50 AMPS@480VAC@ -30°C to 50°C 3-Phase
 2 Pole 75 AMPS@480VAC@-30°C to 50°C 3-Phase*
 51°C to 80°C derates@10 AMPS per decade
 *For 2 Pole usage, use L1 & L3

GENERAL SPECS

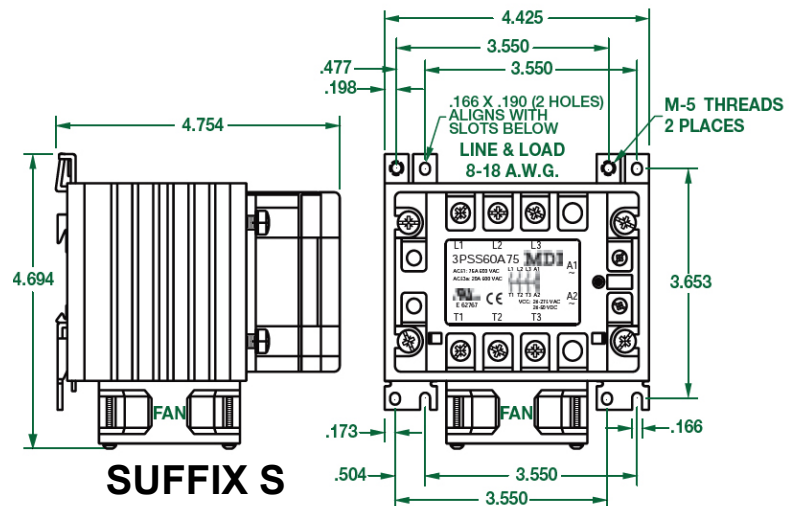
OPERATIONAL VOLTAGE RANGE	42-660 VAC 45 to 65 Hz
BLOCKING VOLTAGE	1600 Vp
OVER VOLTAGE CATEGORY 111	Pollution degree 3
OPERATING TEMPERATURE	-30° to 80°C (-22° to 158°F)
STORAGE TEMPERATURE	-40° to 100°C (-40° to 212°F)
INPUT TO OUTPUT ISOLATION VOLTAGE	≥ 4000 VAC rms
OUTPUT TO CASE ISOLATION VOLTAGE	≥ 4000 VAC rms
HEAT SINK FAN POWER	70 mA @ 24 VDC (Included) 55 mA @ 120 VAC (Optional)

INPUT SPECIFICATIONS

	3PSS60A75	3PSS60D75
CONTROL VOLTAGE RANGE	24-275 VAC/24-50 VDC	4-32 VDC
PICK-UP VOLTAGE	18 VAC/20 VDC	3.8 VDC
DROP-OUT VOLTAGE	9 VAC/DC	1.2 VDC
INPUT CURRENT	≤ 15 mA	≤ 23 mA
RESPONSE TIME PICK UP	20 ms	10 ms
RESPONSE TIME DROP OUT	30 ms	10 ms



SUFFIX R



SUFFIX S

3PSS - ORDER CODE

3PSS60X 75 X

Control Voltage MOUNTING
 A - 24-275VAC/24-50VDC S - STANDARD DIN RAIL
 D - 4-32VDC R - RETRO FIT