

## SSR RELAYS - 2 & 3 POLE 3-PHASE

### SINGLE POLE NORMALLY OPEN



### STANDARD FEATURES

2 AND 3 POLE AC SWITCHING SOLID STATE CONTACTORS  
PRODUCT WIDTH FROM 2.13" TO 2.84"

RATED OPERATIONAL VOLTAGE: 42 TO 600 VAC

RATED OPERATION CURRENT: UP TO 75 AAC

CONTROL VOLTAGES: 5-32 VDC OR 20 - 275 VAC

LINE & LOAD ACCEPTS: 10-14 AWG (20&25 UNITS)

3-14 AWG (30,40,65&75 UNITS)

UP TO 15,000 A<sup>2</sup>s FOR I<sup>2</sup>t

LATCHING VOLTAGE ≤ 20 V

OPERATIONAL FREQUENCY RANGE 45 - 65 Hz

POWER FACTOR > 0.5 @ RATED VOLTAGE

BLOCKING VOLTAGE 1200 Vp

INTERNAL VARISTOR 625 V

UL LISTED, UL508 & CUL LISETED (E 354129)

MOTOR RATING UP TO 11 kW @ 400 VDC, 25 HP @ 600 VAC

CONTROLLED FAN OPERATION FOR VERSIONS WITH INTEGRATED FAN

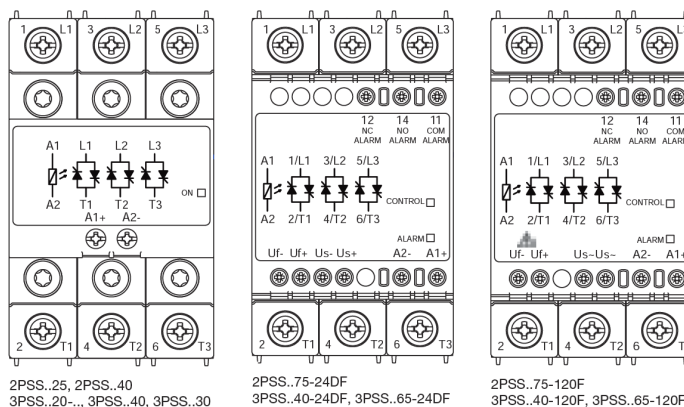
100KA SHORT CIRCUIT RATINGS ACCORDING TO UL 508  
DIN OR PANEL MOUNT

ROHS COMPLIANT

### DESCRIPTION

This product is intended to replace mechanical contactors especially when switching is frequent. The smallest product width in the 2 & 3 Pole range is 2.13" (54 mm) (3xDIN) and goes up to 2.84" (72 mm). Switch ON occurs at the voltage zero cross and switch OFF occurs at the current zero cross. Apart from resistive and slightly inductive loads, the relays are certified for motor switching with associated motor ratings. Varistors are integrated for output overvoltage protection. A green LED gives indication of control voltage presence. Fan operation is controlled for the versions which have an integrated fan.

### TERMINAL LAYOUT



#### TERMINAL LABELLING:

1/L1, 2/L2, 3/L3: LINE CONNECTIONS

2/T1, 4/T2, 6/T3: LOAD CONNECTIONS

A1(+): POSITIVE CONTROL

A2(-): NEGATIVE CONTROL

US(+): EXTERNAL SUPPLY POSITIVE

US(-): EXTERNAL SUPPLY GROUND

US(~): AC EXTERNAL SUPPLY

UF(+): FAN SUPPLY POSITIVE

(PRE-CONNECTED)

UF(-): FAN SUPPLY GROUND

(PRE-CONNECTED)

### SSR 2/3 POLE - ORDER CODE

**X PSS - XX - X - XX - XX - X**

#### # OF POLES

2 - 2 POLE SWITCHING + 1 POLE DIRECT

3 - 3 POLE SWITCHING

#### RATED VOLTAGE, BLOCKING VOLTAGE

D - 5-32VDC

22 - 42-242VAC, 800 Vp

60 - 42-660vac, 120 Vp

#### CONTROL VOLTAGE

D - 5-32VDC

A - 20-275VAC/24-190VDC

#### RATED CURRENT

2PSS

25 - 25 AMPS AC

40 - 40 AMPS AC

75 - 75 AMPS AC

#### 3PSS

20 - 20 AMPS AC

25 - 25 AMPS AC

30 - 30 AMPS AC

40 - 40 AMPS AC

65 - 65 AMPS AC

#### FAN VOLTAGE FEATURES

24 - 24VDC

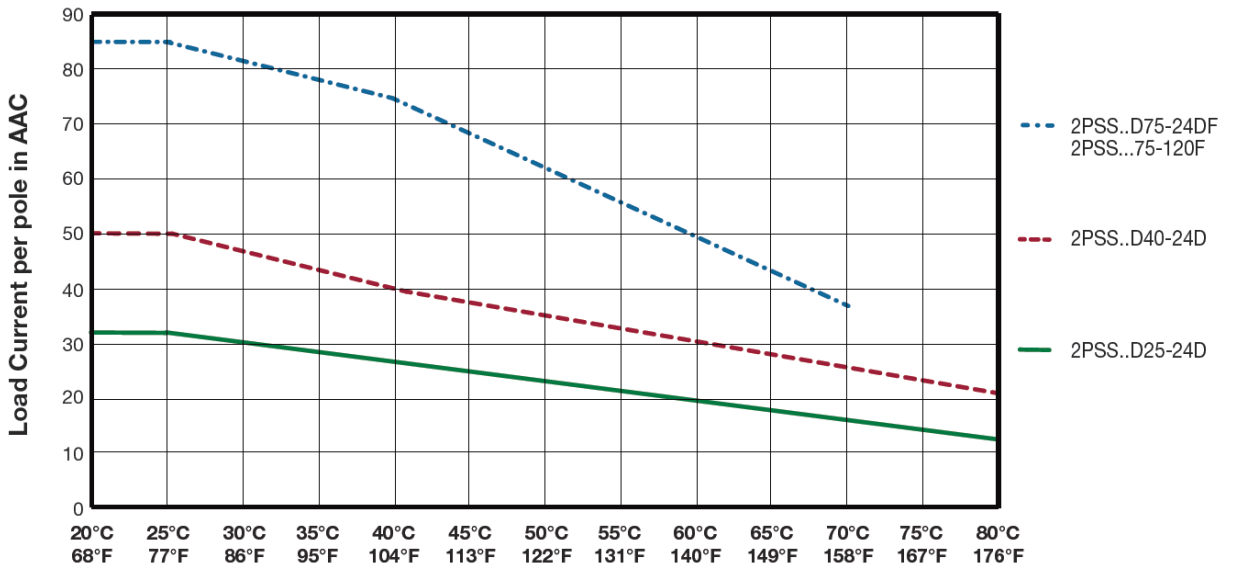
120 - 120VAC

F - INTEGRATED FAN WITH OVER TEMPERATURE PROTECTION & EMR ALARM OUTPUT

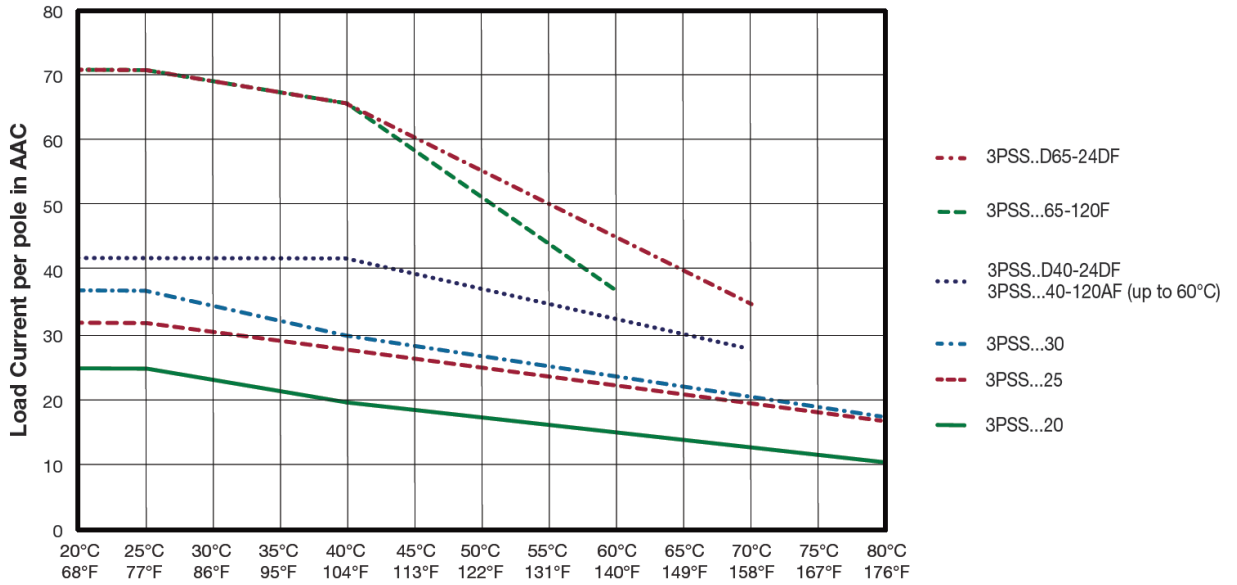
M - MONITORING FOR AMINS LOSS, LOAD LOSS, SSR SHORT CIRCUIT, OPEN CIRCUIT AND OVER TEMPERATURE WITH EMR ALARM OUTPUT AND AUXILIARY OUTPUT

## DERATING VS SPACING CURVE

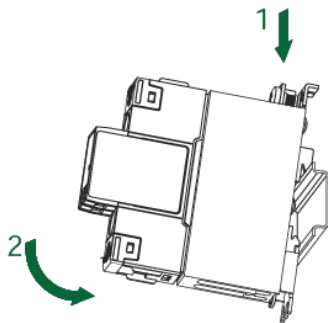
### 2PSS



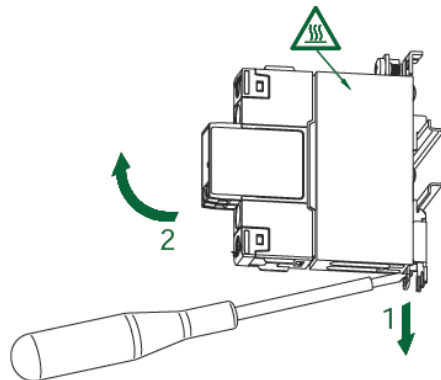
### 3PSS



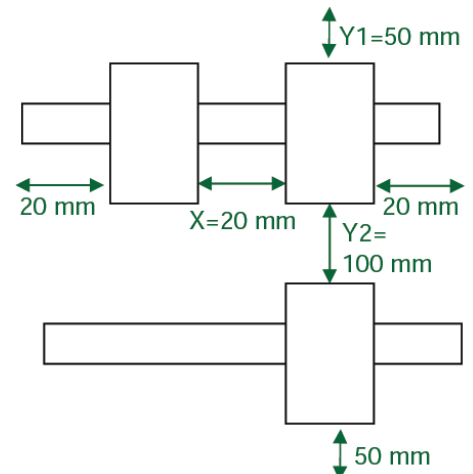
## INSTALLATION INSTRUCTION



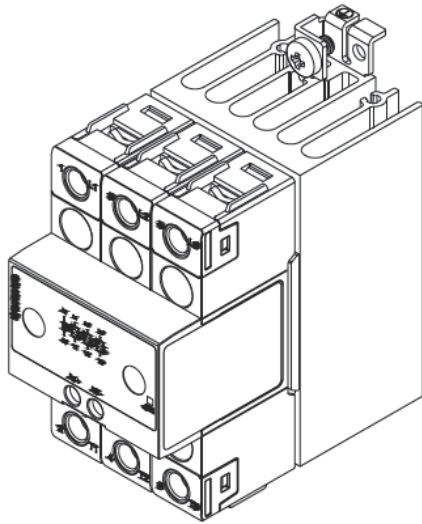
Mounting on DIN rail



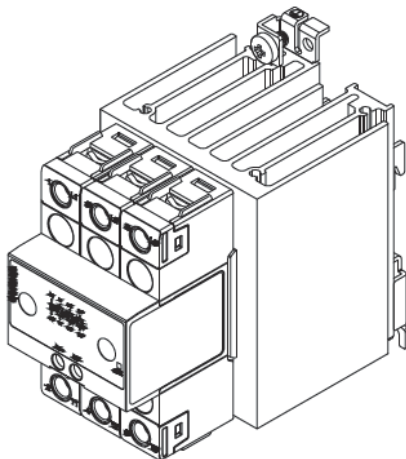
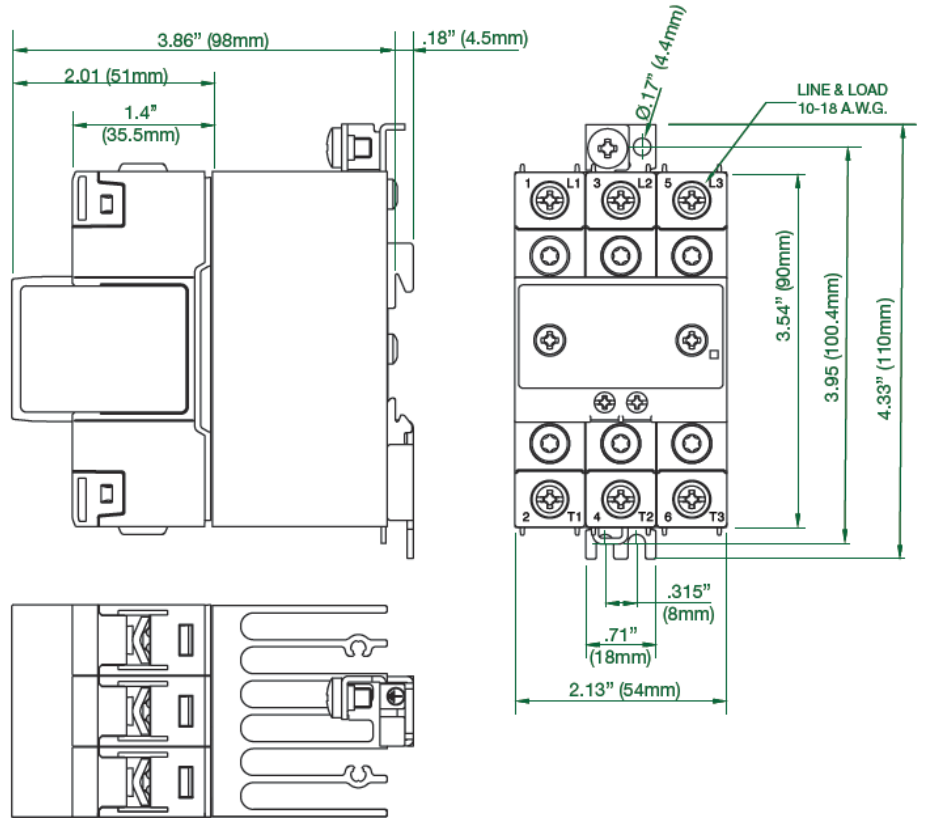
Dismounting from DIN rail



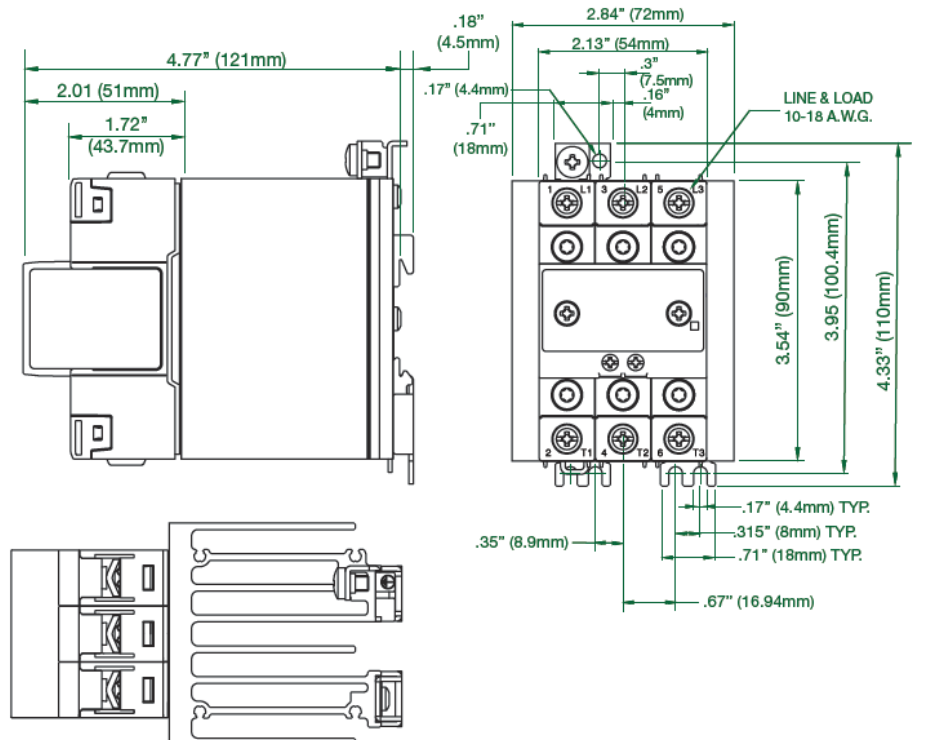
## DIMENSIONS



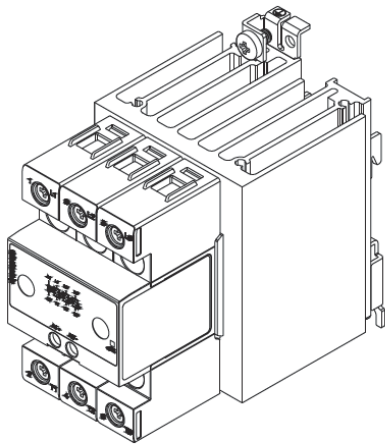
**2PSS...25**  
**3PSS...20**



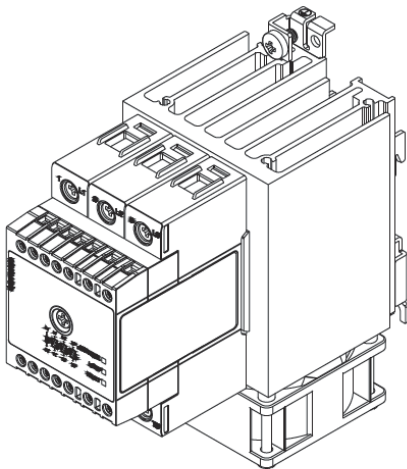
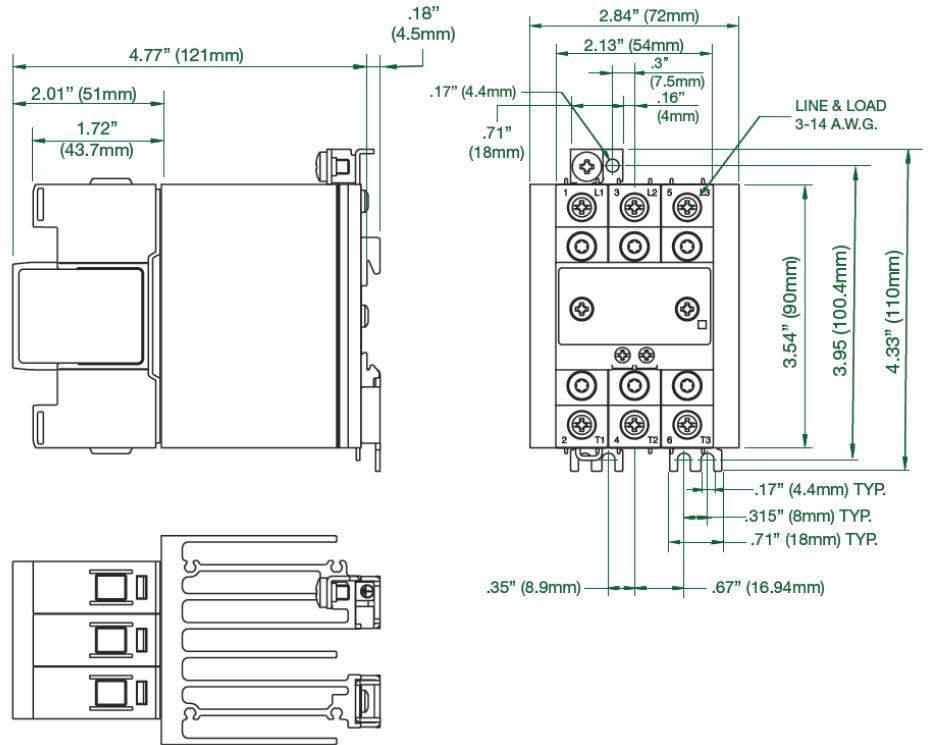
**3PSS...25**



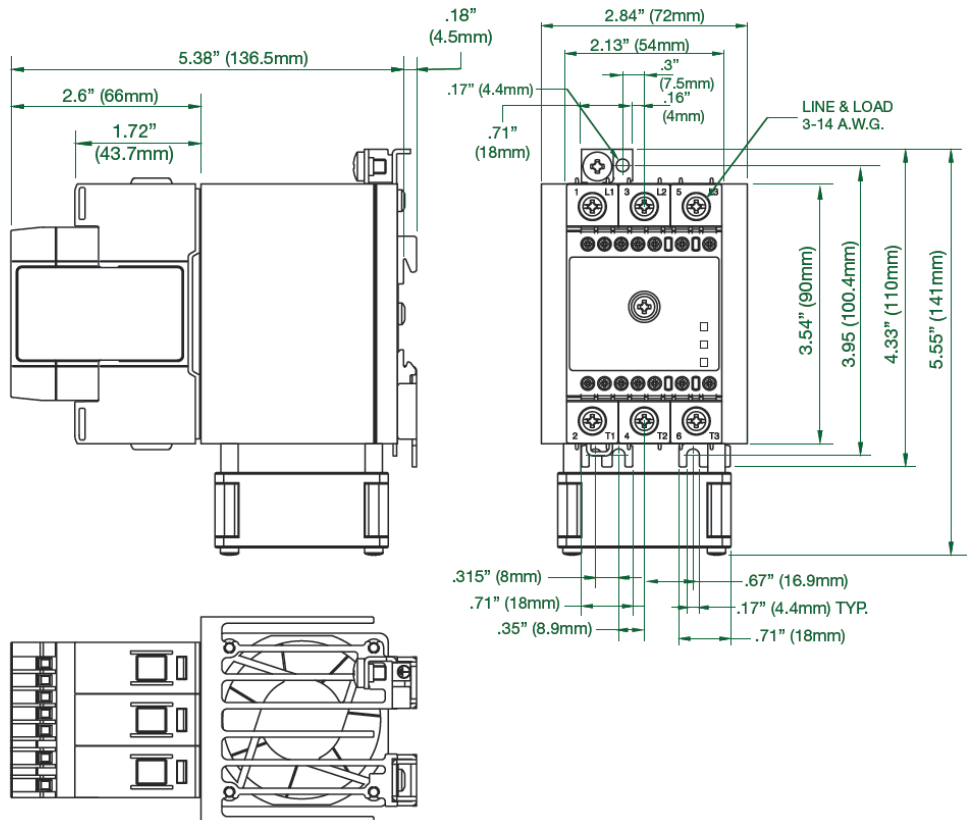
## DIMENSIONS



**2PSS...40**  
**3PSS...30**



**2PSS...75**  
**3PSS...65**



Dimensions in mm. Housing width tolerance  $+0.02"$  (0.5 mm),  $-0$  as per DIN43880. All other tolerances  $\pm 0.02"$  (0.5 mm)