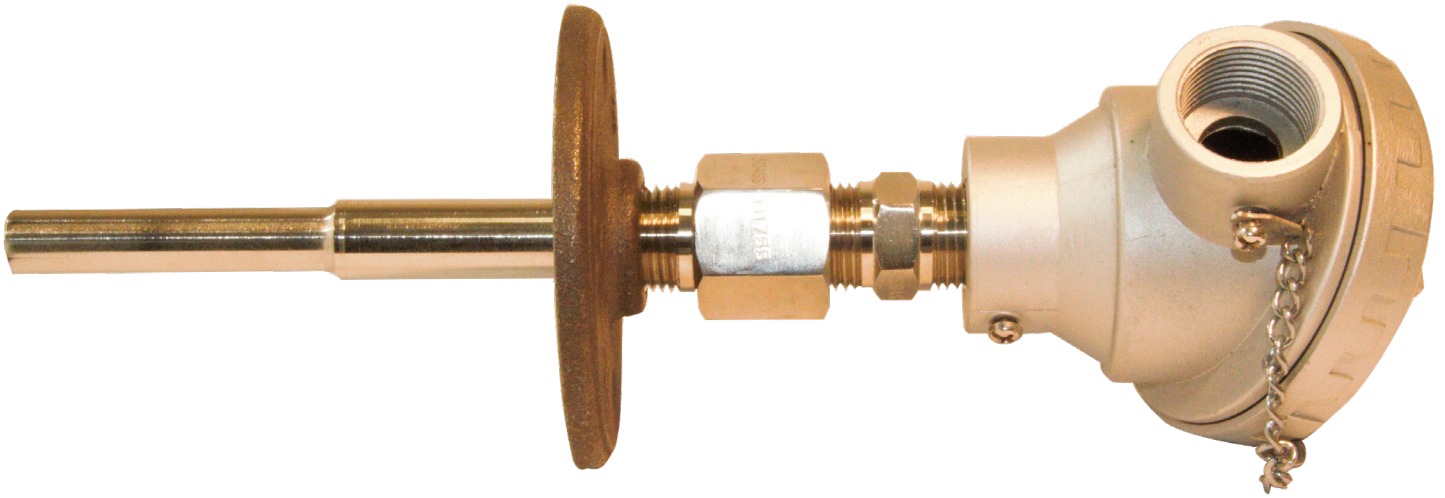


A4995 -FLANGE THERMOWELL SENSOR ASSEMBLIES

A4995 - FLANGE STYLE



FLANGE THERMOWELL SENSOR ASSEMBLIES

Flanged thermowell's are used when pressure, high velocity, and corrosive process media exist. The sensing element is isoplated from the process allowing for fast and easy removal without the need to shut down the process. A4995 thermowell assemblies can be custozimed based on stem size, flange size (custom flanges available), head material and stem material.

These thermowell's offer an excellent solution for protecting the process while extending the sensor life.

OPTIONS - A4995

THERMOCOUPLE TYPE OPTIONS (SINGLE AND DUPLEX)

- Type J Type K
- Type T 3 or 4 Wire RTD
- 4, 6, 8, 10" STEM LENGTH
- CUSTOM
- 1, 1.5, 2" FLANGE
- CUSTOM
- JUNCTION TYPES
- EXPOSED 3 OR 4 WIRE
- GROUNDLED UNGROUNDED
- CUSTOM HEAD MATERIAL

STANDARD TERMINAL BLOCK

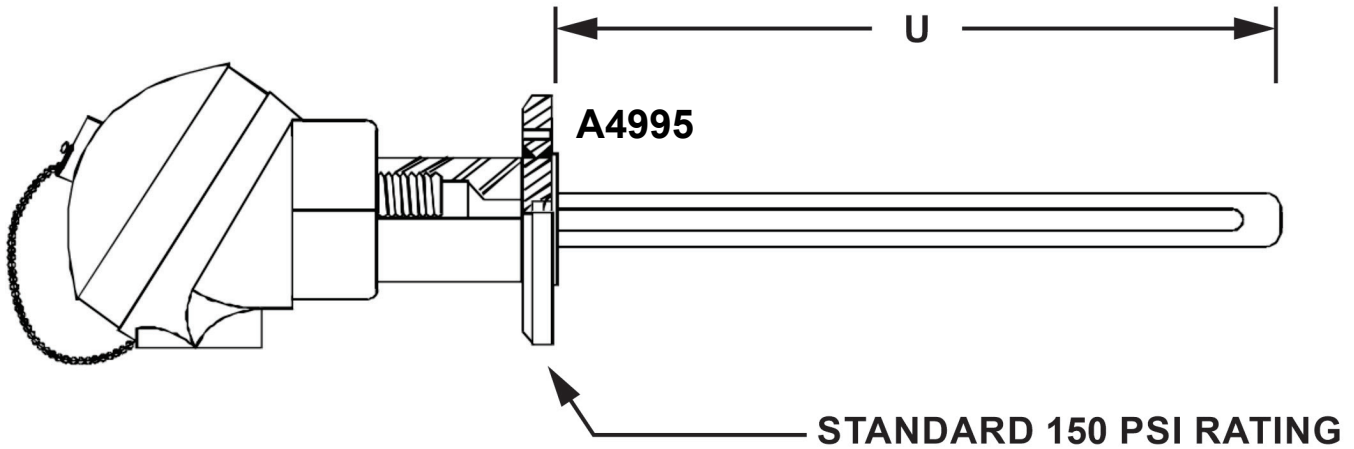


T - TRANSMITTER (RANGE)



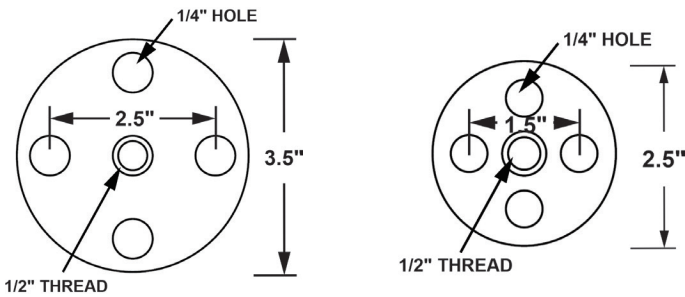
WE CAN PROGRAM THE TRANSMITTER
****SPECIFY OUTPUT WHEN ORDERING****

A4995 - DIMENSIONS

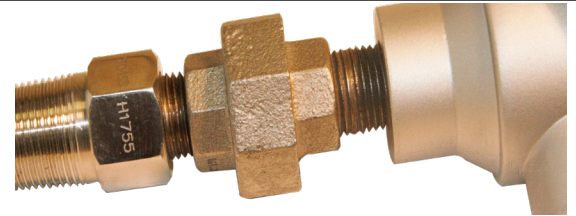


FLANGE DIMENSIONS

3.5F - 3.5" FLANGE 2.5F - 2.5" FLANGE



U - SEPERATE UNION AND NIPPLE



ALLOWS THE USER TO CHOOSE THE DIRECTION OF LEADWIRE EXIT ON THE HEAD

A4995 - OPTIONS

OPTION CODE	DESCRIPTION
SPRING LOADED	SENSING ELEMENT IS SPRING LOADED WITHIN THERMOWELL. INCREASED RESPONSE TIME, INCREASE ACCURACY.
NIST TRACEABLE	PRODUCT WILL BE CERTIFIED BY NATIONAL INSTITUTE OF STANDARDS AND TECHNOLOGY (NIST)
300 PSI FLANGE	FLANGE HAS A PRESSURE RATING OF 300PSI
600 PSI FLANGE	FLANGE HAS A PRESSURE RATING OF 600PSI

A4995 - ORDER CODE

A4995XX - U - X - X - X - X

TYPE	STEM LENGTH	FLANGE	JUNCTION	HEAD MATERIAL	OPTIONS
J - TYPE J	4 - 4" (101mm)	1F - 1" FLANGE	E - EXPOSED	I - CAST IRON	S6 - 316SS
JJ - DUPLEX TYPE J	6 - 6" (152mm)	1.5F - 1.5" FLANGE	G - GROUNDED	AL - LARGE CAST ALUMINUM	I600 - INCONEL 600
K - TYPE K	8 - 8" (203mm)	2F - 2" FLANGE	U - UNGROUNDED	AS - SMALL CAST ALUMINUM	I800 - INCOLOY 800
KK - DUPLEX TYPE K	10 - 10" (254mm)		3 - 3-WIRE	PL - PLASTIC	T - TRANSMITTER (RANGE)
T - TYPE T	X - CUSTOM		4 - 4-WIRE	ALE - CAST ALUMINUM EXPLOSION	S - SPRING LOADED
TT - DUPLEX TYPE T				FDA - FDA COMPLIANT PLASTIC	U - SEPERATE UNION & NIPPLE
T - TYPE T				E - EPOXY COATED ALUMINUM	N - NO TERMINAL BLOCK TRANSMITTER READY
RTD - PT100(200°C)				FDAF - FDA COMPLIANT FLIP TOP	C - NIST TRACEABLE
RTDD - DUPLEX PT100(200°C)					3 - 300 PSI FLANGE
RT4 - PT100(400°C)					6 - 600 PSI FLANGE
RT44 - DUPLEX PT100(400°C)					